



- Up to 4 read heads can be connected
- DIN rail mounting
- PROFIBUS interface

WCS-PG210



Technical data

General specifications

Installation DIN rail mounting

Functional safety related parameters

MTTF_d 240 a

Mission Time (T_M) 20 a

Diagnostic Coverage (DC) 0 %

Electrical specifications

Operating voltage U_B 24 V ± 20 %

Power consumption P₀ ≤ 3.6 W (without read heads)

Interface 1

Connection of control system

Interface type PROFIBUS DP

Transfer rate max. 12 MBit/s , Automatic baud rate detection

Data output format binary code

Bus termination resistor switchable

Interface 2

Connection of Reading head

Connectable read heads WCS-LS221 , WCS-LS121

Interface type RS 485

Transmission method half duplex

Transfer rate 62.5 kBit/s

RS485 termination resistor switchable

Refresh cycle of read head 1 ms

Standard conformity

Emitted interference EN 55011

Noise immunity DIN EN 50082-2

Ambient conditions

Operating temperature 0 ... 45 °C (32 ... 113 °F) , no moisture condensation

Storage temperature -40 ... 70 °C (-40 ... 158 °F)

Relative humidity ≤ 80 %

Mechanical specifications

Connection type Interface 1: 9-pin Sub-D connector
Interface 2: terminal connection ≤ 2.5 mm² , 5-pin

Housing width 90 mm

Housing height 127 mm

Housing depth 55 mm

Protection degree IP24

Material plastic

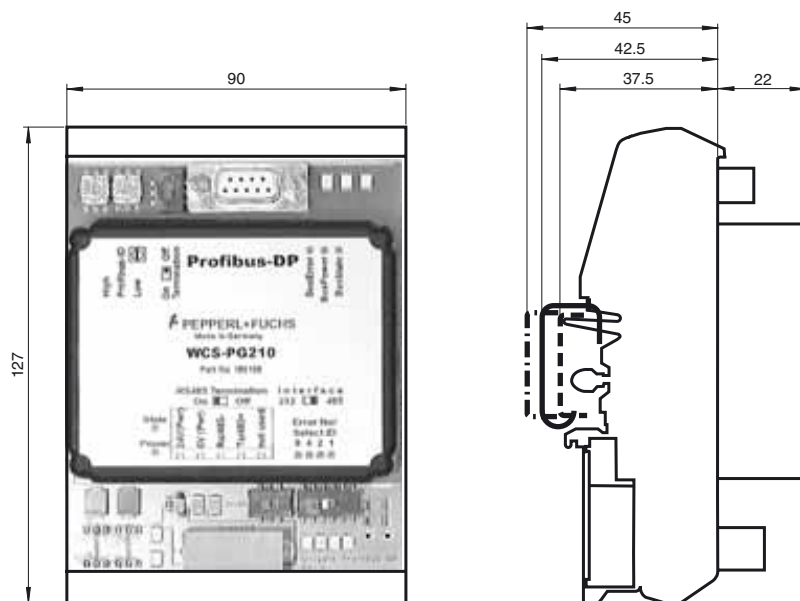
Installation position any position

Mass approx. 200 g

Approvals and certificates

CCC approval Products with a maximum operating voltage of ≤36 V do not bear a CCC marking because they do not require approval.

Dimensions



Electrical connection

