



Model Number

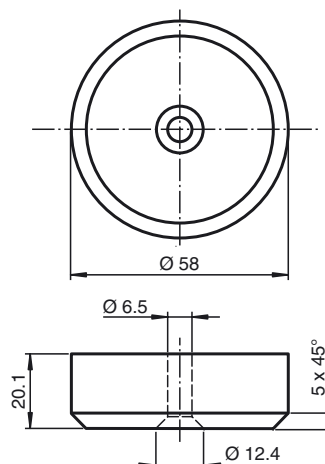
IPC12-58-64K

Data carrier

Features

- Battery-free data carrier
- 64 kbit FRAM, 32 Bit fixcode
- Protection degree IP67
- Sturdy housing with integrated distance retainer
- Mounting holes for simple installation
- Compatible with IPC03
- Unlimited writability

Dimensions



Technical data

General specifications

| | |
|---------------------|----------|
| Operating frequency | 125 kHz |
| Transfer rate | 2 kBit/s |

Memory

| | |
|-----------------------|-------------------------------|
| Chip Type | P+F FRAM |
| Type/Size | FRAM 64 kBit , fixcode 32 Bit |
| Read cycles | unlimited |
| Write cycles | unlimited |
| Data retention period | 10 years |

Ambient conditions

| | |
|---------------------|-------------------------------|
| Ambient temperature | -25 ... 85 °C (248 ... 358 K) |
| Storage temperature | -25 ... 85 °C (248 ... 358 K) |

Mechanical specifications

| | |
|------------------------|-----------------|
| Protection degree | IP67 |
| Material | |
| Housing | PA 6 (Polyamid) |
| Encapsulation compound | WEVO 403FL/300 |

Compliance with standards and directives

| | |
|---------------------|----------|
| Standard conformity | |
| Protection degree | EN 60529 |

Notes

The surface containing the text must face the read/write head.