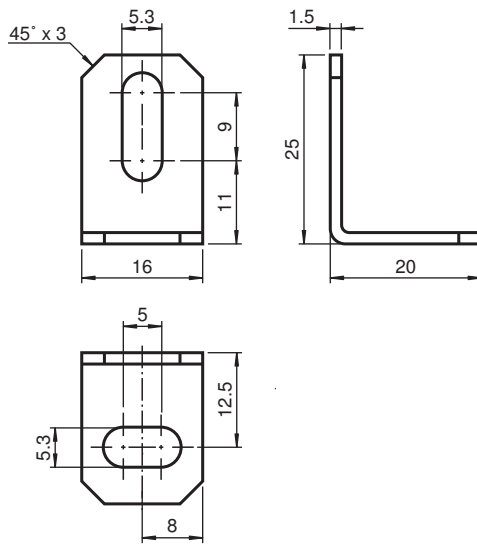


Mounting bracket MH-F90

Mounting bracket for mounting of F90 sensors

Dimensions



Technical Data

Mechanical specifications

Material	Metal sheet (steel), zinc-plated
Note	2 pieces, included with delivery

Release date: 2020-03-23 Date of issue: 2020-06-29 Filename: 185358_eng.pdf

Refer to "General Notes Relating to Pepperl+Fuchs Product Information".

Pepperl+Fuchs Group
www.pepperl-fuchs.com

USA: +1 330 486 0001
fa-info@us.pepperl-fuchs.com

Germany: +49 621 776 1111
fa-info@de.pepperl-fuchs.com

Singapore: +65 6779 9091
fa-info@sg.pepperl-fuchs.com

pf PEPPERL+FUCHS