

Handheld

ODT-HH-MAH300



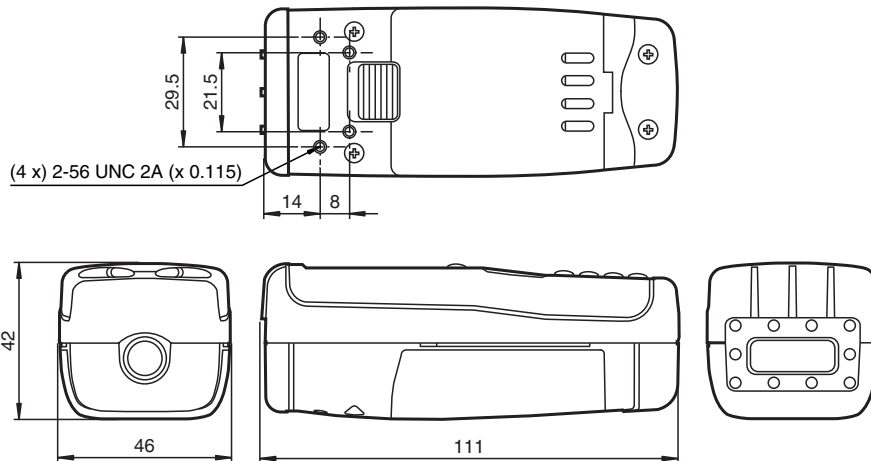
- All common 1-D or 2-D codes can be read
- 3 readings per seconds
- Omni-directional reading
- Evaluation of up to 256 gray values with adaptive gray value threshold
- Keypad for entry of alphanumeric characters
- LCD display
- Free programming with JavaScript

Handheld Data Matrix reader for all current 1-D and 2-D barcodes, for wired and wireless operation, with keypad and LCD



Function

Dimensions



Technical Data

General specifications

Light type	Integrated LED lightning (red)
Symbologies	Maxi Code, PDF 417, Data Matrix, QR Code, MicroPDF 417, GoCode, UCC Composite, Aztec Code, Code 39, Code 128, UPC, EAN, JAN, Int 2 of 5, Codabar, Code 93, UCC RSS, POSTNET, PLANET, Japanese Post, Australia Post, Royal Mail, RM4SCC, KIX Code, Codablock , 4-State Customer Barcode (Intelligent Mail® Barcode)
Laser class	2M
Read distance	50 ... 500 mm Depending on code symbology
Reading field	max. 125 mm x 200 mm
Modul size	min. 0.15 mm
Target velocity	Stop
Data Matrix	
Symbol size	rectangular up to 144 x 144 modules rectangular up to 16 x 48 modules
Orientation	omnidirectional

Release date: 2022-02-28 Date of issue: 2022-02-28 Filename: 188303_eng.pdf

Refer to "General Notes Relating to Pepperl+Fuchs Product Information".

Pepperl+Fuchs Group
www.pepperl-fuchs.com

USA: +1 330 486 0001
fa-info@us.pepperl-fuchs.com

Germany: +49 621 776 1111
fa-info@de.pepperl-fuchs.com

Singapore: +65 6779 9091
fa-info@sg.pepperl-fuchs.com

 **PEPPERL+FUCHS**

Technical Data

Nominal ratings		
Camera		
Type		CMOS
Number of pixels		1024 x 640 pixels per focus point
Gray scale		256
Image recording		real-time , manually triggered
Processor		
Clock pulse frequency		400 MHz
Digital resolution		8 Bit
Memory		
Non-volatile memory		4 MByte
Indicators/operating means		
Display		128 x 128 pixel monochrome LC Display
Keyboard		Keypad for entering alphanumerical characters
Key		2 programmable function keys
Electrical specifications		
Supply		from interface or battery
Interface		
Physical		USB 1.1 , RS 232 or PS/2
Protocol		ASCII
Compliance with standards and directives		
Directive conformity		
EMC Directive 89/336/EEC		EN 55024
Standard conformity		
Noise immunity		EN 61000-4-2/3/4/6, EN 55022
Emitted interference		EN 55022
Degree of protection		EN 60529
Laser class		IEC 60825-1:2007
Ambient conditions		
Ambient temperature		0 ... 40 °C (32 ... 104 °F)
Storage temperature		-20 ... 60 °C (-4 ... 140 °F)
Mechanical specifications		
Degree of protection		IP20
Connection		System connector for connecting cable or handle
Material		
Housing		plastic
Mass		approx. 180 g
Dimensions		112 mm x 46 mm x 41 mm

Release date: 2022-02-28 Date of issue: 2022-02-28 Filename: 188303_eng.pdf

Refer to "General Notes Relating to Pepperl+Fuchs Product Information".

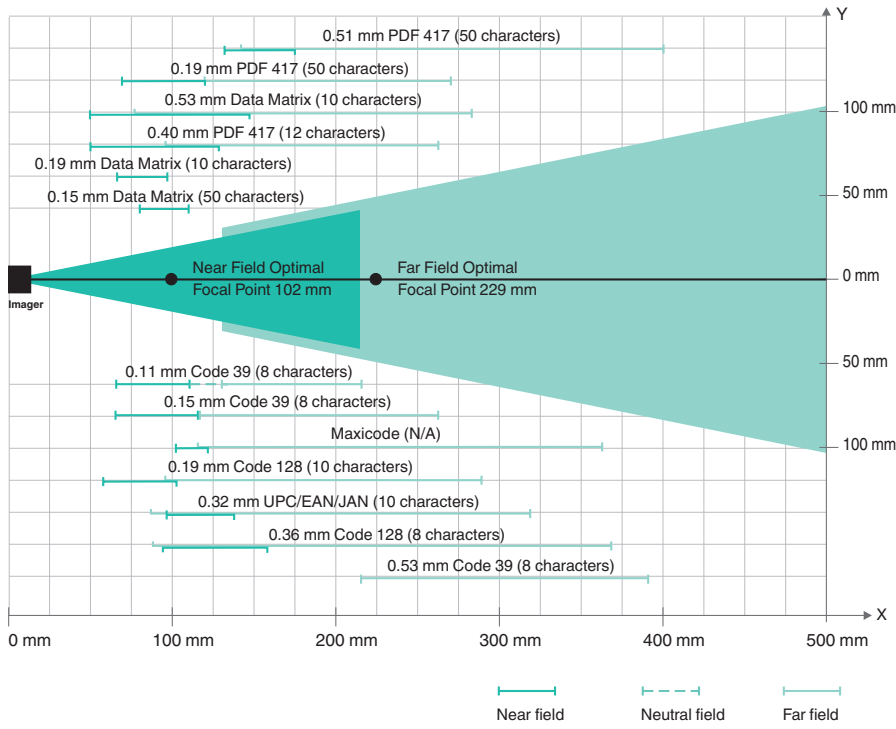
Pepperl+Fuchs Group
www.pepperl-fuchs.com

USA: +1 330 486 0001
fa-info@us.pepperl-fuchs.com




Germany: +49 621 776 1111
fa-info@de.pepperl-fuchs.com

Singapore: +65 6779 9091
fa-info@sg.pepperl-fuchs.com

 PEPPERL+FUCHS



Accessories

	Vision Configurator	Operating software for camera-based sensors
	ODZ-MAH-SUPPLY	Power supply
	ODZ-MAH-CAB-R2	Connection cable RS 232 interface

Release date: 2022-02-28 Date of issue: 2022-02-28 Filename: 188303_eng.pdf