



Model Number

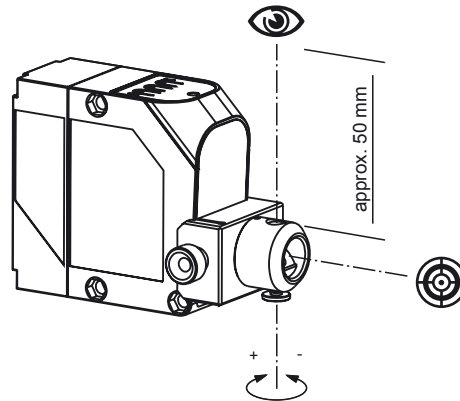
VDM35-AR

Alignment aid for VDM35 and VDM70 series

Features

- Simplifies the alignment of VDM35 and VDM70 series distance measurement devices with wide sensing ranges

Dimensions



Technical data

Ambient conditions

| | |
|-----------------------|--------------------------------|
| Operating temperature | 0 ... 40 °C (32 ... 104 °F) |
| Storage temperature | -40 ... 85 °C (-40 ... 185 °F) |

Mechanical specifications

| | |
|-------------------|-----------|
| Protection degree | IP20 |
| Material | aluminium |
| Housing | PA 6 |
| Mass | 250 g |
| Dimensions | |

Suitable series

| | |
|--------|---------------|
| Series | VDM35 , VDM70 |
|--------|---------------|

Note

The aligning aid allows to see the spot of the pilot laser at large distances.

Using the aligning aid:

- Mount the aligning aid on the device front side.
- Activate any menu item (->Pilotlaser on)
- Look into the scope window and focus the spot.

The real light spot is exactly in the same position as the visible spot displayed in the aligning aid.