



Model Number

CCN15-30GS60-E2-3G-3D

Features

- 15 mm non-flush
- The switching distance can be set over a wide range with the potentiometer
- High EMC resistance
- Stainless steel version
- Operating voltage range 10 V ... 60 V DC

Accessories

BF 30

Mounting flange, 30 mm

Technical Data

General specifications

Switching function		Normally open (NO)
Output type		PNP
Rated operating distance	s_n	15 mm
Installation		non-flush
Output polarity		DC
Assured operating distance	s_a	0 ... 12.1 mm
Output type		3-wire

Nominal ratings

Installation conditions		
A		18 mm
B		10 mm
C		30 mm
F		60 mm
Operating voltage	U_B	10 ... 60 V DC
Switching frequency	f	0 ... 10 Hz
Reverse polarity protection		reverse polarity protected
Short-circuit protection		pulsing
Voltage drop	U_d	≤ 2.8 V
Operating current	I_L	0 ... 200 mA
Off-state current	I_r	0 ... 0.5 mA typ. 0.1 μ A at 25 °C
Off-state current $T_U = 40$ °C, switching element off		≤ 100 μ A
No-load supply current	I_0	≤ 20 mA
Time delay before availability	t_v	≤ 50 ms
Switching state indicator		LED, yellow

Indicators/operating means

Potentiometer	sensitivity adjustment
---------------	------------------------

Ambient conditions

Ambient temperature	-25 ... 70 °C (-13 ... 158 °F)
Storage temperature	-40 ... 85 °C (-40 ... 185 °F)

Mechanical specifications

Connection type	cable PVC , 2 m
Core cross-section	0.75 mm ²
Housing material	Stainless steel 1.4305 / AISI 303
Sensing face	PBT
Degree of protection	IP67

General information

Use in the hazardous area	see instruction manuals
Category	3G; 3D

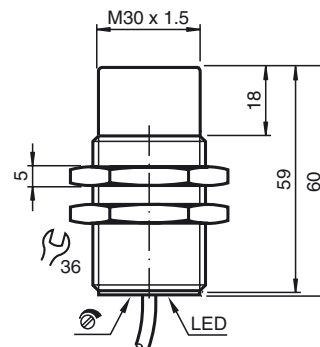
Compliance with standards and directives

Standard conformity	
Standards	EN 60947-5-2:2007 IEC 60947-5-2:2007

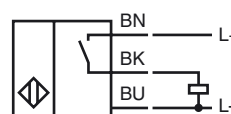
Approvals and certificates

UL approval	cULus Listed, General Purpose
CSA approval	cCSAus Listed, General Purpose

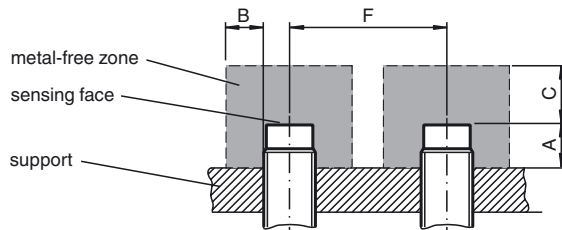
Dimensions



Electrical Connection



Installation Conditions



Equipment protection level Gc (nA)

CE marking	CE
ATEX marking	II 3G EEx nA IIC T6 X
Directive conformity	94/9/EG
Standards	EN 60079-15:2003 Ignition protection category "n" Use is restricted to the following stated conditions

Special conditions

Maximum operating current I_L	The maximum permissible load current must be restricted to the values given in the following list. High load currents and load short-circuits are not permitted.
Maximum operating voltage U_{Bmax}	The maximum permissible operating voltage U_{Bmax} is restricted to the values in the following list. Tolerances are not permissible.
Maximum permissible ambient temperature T_{Umax}	dependant of the load current I_L and the max. operating voltage U_{Bmax} Information can be taken from the following list.
at $U_{Bmax}=60\text{ V}$, $I_L=200\text{ mA}$	50 °C (122 °F)
at $U_{Bmax}=60\text{ V}$, $I_L=100\text{ mA}$	53 °C (127.4 °F)
at $U_{Bmax}=30\text{ V}$, $I_L=200\text{ mA}$	54 °C (129.2 °F)

Equipment protection level Dc

CE marking	CE
ATEX marking	II 3D IP67 T 90 °C (194 °F) X
Directive conformity	94/9/EG
Standards	EN 50281-1-1 Protection via housing Use is restricted to the following stated conditions

Special conditions

Maximum heating (Temperature rise)	dependant of the load current I_L and the max. operating voltage U_{Bmax} Information can be taken from the following list. The maximum surface temperature at maximum ambient temperature is given in the Ex identification of the apparatus.
at $U_{Bmax}=60\text{ V}$, $I_L=200\text{ mA}$	20 K
at $U_{Bmax}=60\text{ V}$, $I_L=100\text{ mA}$	17 K
at $U_{Bmax}=30\text{ V}$, $I_L=200\text{ mA}$	15 K

Release date: 2012-02-09 15:33 Date of issue: 2018-02-28 189961_eng.xml