

# Handheld

## ODT-HH-MAH200-B15+BAT



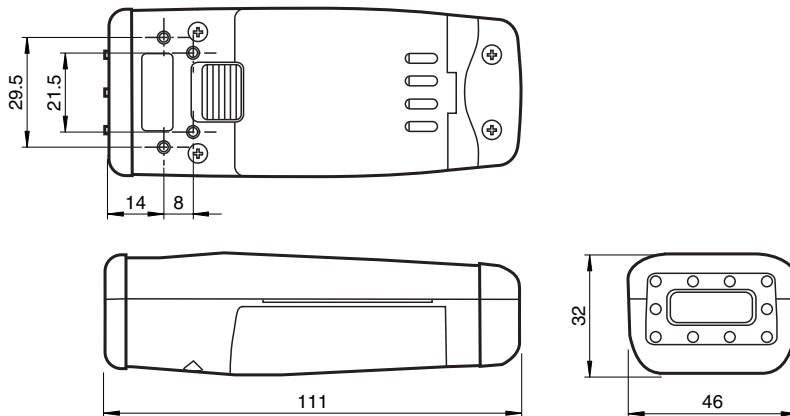
- All common 1-D or 2-D codes can be read
- Wireless Bluetooth connection
- 3 readings per seconds
- Omni-directional reading
- Evaluation of up to 256 gray values with adaptive gray value threshold
- Battery included with delivery

Data Matrix handheld with Bluetooth for 1-D and 2-D codes



### Function

### Dimensions



### Technical Data

#### General specifications

Light type	Integrated LED lightning (red)
Symbologies	Maxi Code, PDF 417, Data Matrix, QR Code, MicroPDF 417, GoCode, UCC Composite, Aztec Code, Code 39, Code 128, UPC, EAN, JAN, Int 2 of 5, Codabar, Code 93, UCC RSS, POSTNET, PLANET, Japanese Post, Australia Post, Royal Mail, RM4SCC, KIX Code, Codablock
Read distance	100 ... 230 mm
Reading field	max. 100 mm x 200 mm
Modul size	min. 0.15 mm
Target velocity	Stop
Data Matrix	
Symbol size	rectangular up to 144 x 144 modules rectangular up to 16 x 48 modules
Orientation	omnidirectional
<b>Nominal ratings</b>	
Camera	
Type	CMOS

Release date: 2022-02-28 Date of issue: 2022-02-28 Filename: 190061\_eng.pdf

Refer to "General Notes Relating to Pepperl+Fuchs Product Information".

Pepperl+Fuchs Group  
www.pepperl-fuchs.com

USA: +1 330 486 0001  
fa-info@us.pepperl-fuchs.com

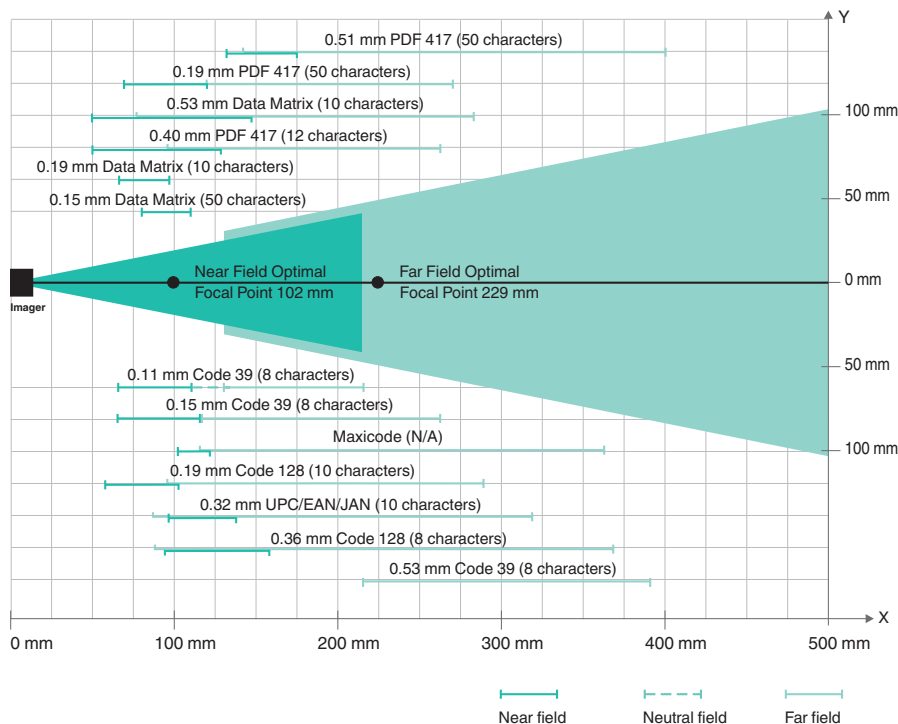
Germany: +49 621 776 1111  
fa-info@de.pepperl-fuchs.com

Singapore: +65 6779 9091  
fa-info@sg.pepperl-fuchs.com



**PF** PEPPERL+FUCHS

## Technical Data

Number of pixels	1024 x 640 pixels per focus point
Gray scale	256
Image recording	real-time , manually triggered
Processor	
Clock pulse frequency	400 MHz
Digital resolution	8 Bit
<b>Electrical specifications</b>	
Supply	from USB or integrated accumulator
<b>Interface</b>	
Physical	Bluetooth , USB 1.1 , RS 232 or PS/2
Protocol	ASCII
<b>Standard conformity</b>	
Electromagnetic compatibility	EN 61326
<b>Ambient conditions</b>	
Ambient temperature	0 ... 40 °C (32 ... 104 °F)
<b>Mechanical specifications</b>	
Degree of protection	IP20
Connection	System connector for connecting cable or handle
<b>Material</b>	
Housing	plastic
Mass	approx. 50 g
Dimensions	109 mm x 46 mm x 33 mm



## Accessories

	<b>ODZ-MAH-SUPPLY</b>	Power supply
	<b>ODZ-MAH-CAB-R2</b>	Connection cable RS 232 interface

Release date: 2022-02-28 Date of issue: 2022-02-28 Filename: 190061\_eng.pdf

Refer to "General Notes Relating to Pepperl+Fuchs Product Information".

Pepperl+Fuchs Group  
www.pepperl-fuchs.com

USA: +1 330 486 0001  
fa-info@us.pepperl-fuchs.com

Germany: +49 621 776 1111  
fa-info@de.pepperl-fuchs.com

Singapore: +65 6779 9091  
fa-info@sg.pepperl-fuchs.com

 **PEPPERL+FUCHS**