



### Model Number

**MVH2000-F15-2.40-V1**

Read/write head for IDENTControl, reading distance up to 3 m

### Features

- 3 LEDs for function indication
- Connection via V1 (M12 x 1) plug connection
- Degree of protection IP65

### Accessories

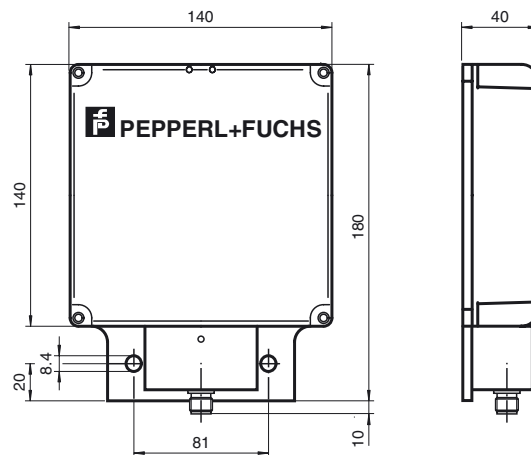
#### V1-G-5M-PUR-ABG-V1-W

Connecting cable, M12 to M12, PUR cable 4-pin, shielded

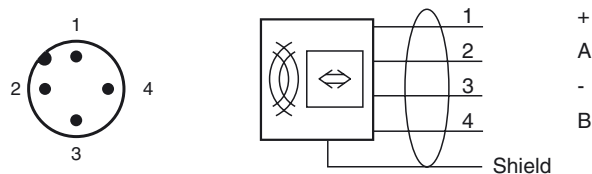
#### V1-G-10M-PUR-ABG-V1-W

Connecting cable, M12 to M12, PUR cable 4-pin, shielded

## Dimensions



## Electrical connection



## Technical data

### General specifications

Operating frequency	2.40 GHz $\pm$ 200 kHz
Transfer rate	76.8 kBit/s
Emitted power	(10 dBm) 10 mW
Operating distance	0.2 ... 1.5 m, maximum 3 m
UL File Number	E87056

### Indicators/operating means

LED green/yellow	green: power on green flashing: read/write attempt performed yellow: data carrier detected
LED Tx	communication
LED OK	No function

### Electrical specifications

Power consumption	$P_0$	$\leq 7$ W
Supply	from the IDENTControl	

### Ambient conditions

Ambient temperature	-20 ... 70 °C (-4 ... 158 °F)
Storage temperature	-20 ... 70 °C (-4 ... 158 °F)
Shock and impact resistance	50 g, 11 ms, in all 3 spatial axes, with 3 positive and negative accelerations on each, according to IEC 68-2-27 and IEC 68-2-47

### Mechanical specifications

Degree of protection	IP65
Connection	M12 x 1 connector
Material	
Housing	PBT/stainless steel/aluminum
Installation	
Distance between two heads	8 m at operating distance 2 m
Mass	approx. 1200 g

### Compliance with standards and directives

Standard conformity	
Electromagnetic compatibility	EN 61326, EN 301489-1, EN 301489-3, EN 300440-1
Degree of protection	EN 60529



**Notes**

**Max. cable length:**

100 m for wire cross section 4 x 0,34 mm<sup>2</sup>

150 m for wire cross section 4 x 0,50 mm<sup>2</sup>

200 m for wire cross section 4 x 0,75 mm<sup>2</sup>

Release date: 2015-11-12 15:25 Date of issue: 2015-11-12 192486\_eng.xml