



Model Number

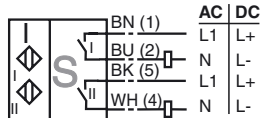
NBN3-F31-U8-V125

Features

- Direct mounting on standard actuators
- Compact and stable housing
- Fixed setting

Connection

U8-V125



Accessories

BT65A

Activator for F31 series

BT65X

Activator for F31 series

BT115A

Activator for F31 series

BT115X

Activator for F31 series

BT65B

Activator for F31 series

BT115B

Activator for F31 series

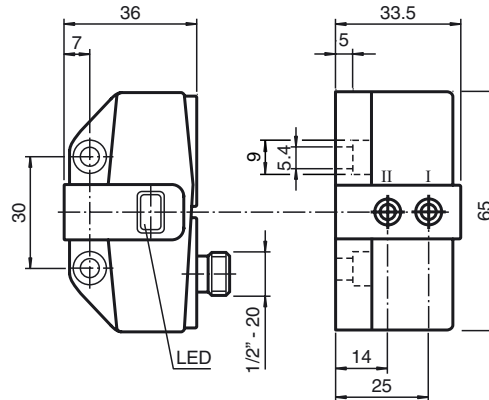
V125-G-YE2M-PVC

Cable socket, M12, 5-pin, PVC cable

V125-W-YE2M-PVC

Connecting cable, 1/2" - 20 UNF, 5-pin, PVC cable

Dimensions



Technical Data

General specifications

Switching element function		AC/DC binary NO
Rated operating distance	s_n	3 mm
Installation		flush mountable
Output polarity		AC/DC
Assured operating distance	s_a	0 ... 2.43 mm
Reduction factor r_{Al}		0.45
Reduction factor r_{Cu}		0.38
Reduction factor r_{304}		1
Reduction factor r_{St37}		1.04

Nominal ratings

Operating voltage	U_B	20 ... 253 V AC/DC
Switching frequency	f	25 Hz
Hysteresis	H	typ. 3 %
Reverse polarity protection		yes
Short-circuit protection		yes
Voltage drop	U_d	≤ 8 V
Operating current	I_L	4 ... 400 mA
Off-state current	I_r	≤ 1.7 mA
Operating voltage display		LED, green
Switching state indication		LED, yellow

Functional safety related parameters

MTTF _d	529 a
Mission Time (T_M)	20 a
Diagnostic Coverage (DC)	0 %

Ambient conditions

Ambient temperature	-25 ... 70 °C (-13 ... 158 °F)
---------------------	--------------------------------

Mechanical specifications

Connection type	Device connector 1/2"-20 UN
Housing material	PBT
Sensing face	PBT
Protection degree	IP67

Compliance with standards and directives

Standard conformity	
Standards	EN 60947-5-2:2007 IEC 60947-5-2:2007

Approvals and certificates

Protection class		II
Rated insulation voltage	U_i	253 V
Design-impulse-voltage withstand	U_{imp}	4 kV
UL approval		cULus Listed, General Purpose
CSA approval		cCSAus Listed, General Purpose