

Handheld

ODT-HH-MAH300-B15



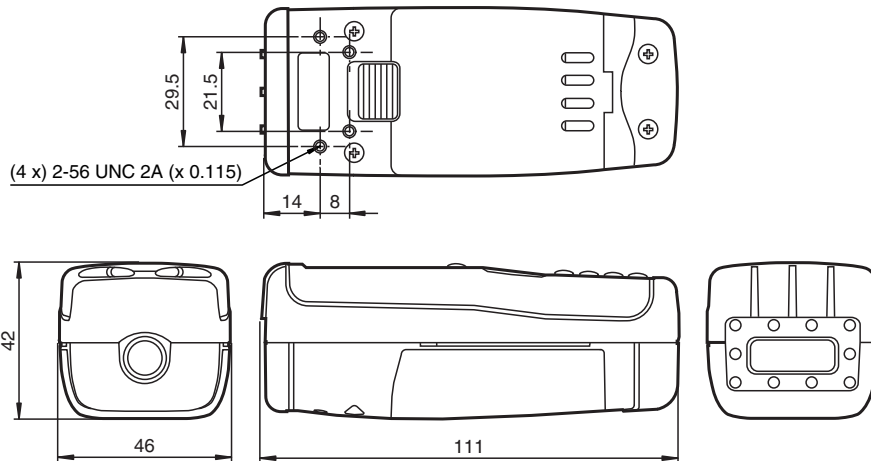
- All common 1-D or 2-D codes can be read
- Wireless Bluetooth connection
- 3 readings per seconds
- Omni-directional reading
- Evaluation of up to 256 gray values with adaptive gray value threshold
- Keypad for entry of alphanumeric characters
- LCD display
- Free programming with JavaScript

Handheld reader with Bluetooth for all standard 1-D and 2-D codes



Function

Dimensions



Technical Data

General specifications

Light type	Integrated LED lightning (red)
Symbologies	Maxi Code, PDF 417, Data Matrix, QR Code, MicroPDF 417, GoCode, UCC Composite, Aztec Code, Code 39, Code 128, UPC, EAN, JAN, Int 2 of 5, Codabar, Code 93, UCC RSS, POSTNET, PLANET, Japanese Post, Australia Post, Royal Mail, RM4SCC, KIX Code, Codablock , 4-State Customer Barcode (Intelligent Mail® Barcode)
Laser class	2M
Read distance	50 ... 500 mm Depending on code symbology
Reading field	max. 125 mm x 200 mm
Modul size	min. 0.15 mm
Target velocity	Stop
Data Matrix	
Symbol size	rectangular up to 144 x 144 modules rectangular up to 16 x 48 modules
Orientation	omnidirectional

Nominal ratings

Release date: 2022-02-28 Date of issue: 2022-02-28 Filename: 194271_eng.pdf

Refer to "General Notes Relating to Pepperl+Fuchs Product Information".

Pepperl+Fuchs Group
www.pepperl-fuchs.com

USA: +1 330 486 0001
fa-info@us.pepperl-fuchs.com

Germany: +49 621 776 1111
fa-info@de.pepperl-fuchs.com

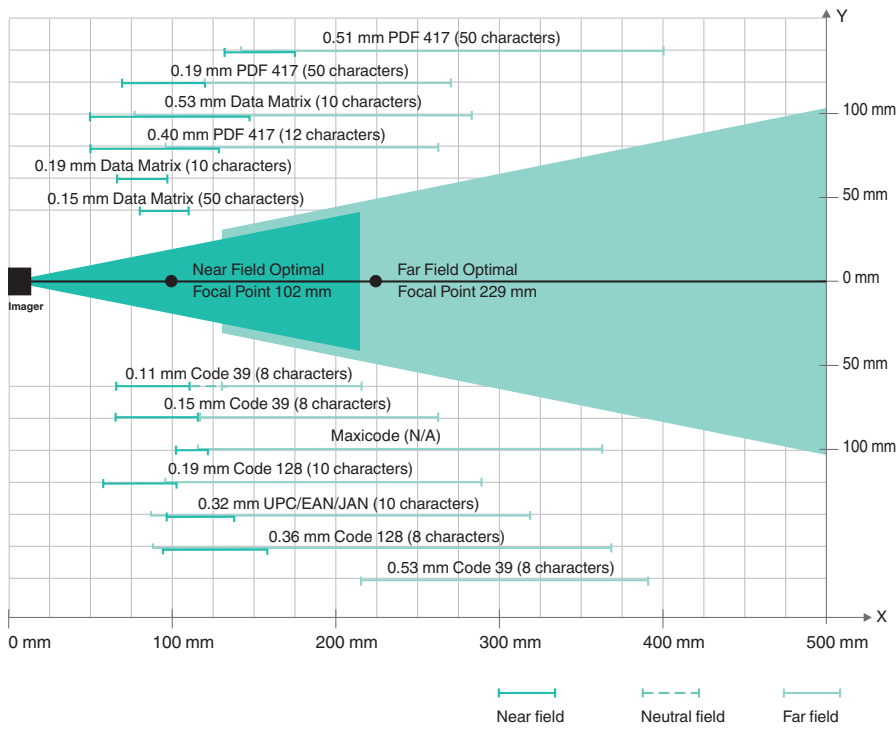
Singapore: +65 6779 9091
fa-info@sg.pepperl-fuchs.com

PF PEPPERL+FUCHS





Technical Data

Camera	
Type	CMOS
Number of pixels	1024 x 640 pixels per focus point
Gray scale	256
Image recording	real-time , manually triggered
Processor	
Clock pulse frequency	400 MHz
Digital resolution	8 Bit
Memory	
Non-volatile memory	4 MByte
Indicators/operating means	
Display	128 x 128 pixel monochrome LC Display
Keyboard	Keypad for entering alphanumerical characters
Key	2 programmable function keys
Electrical specifications	
Supply	from interface or battery
Interface	
Physical	Bluetooth , USB 1.1 , RS 232 or PS/2
Protocol	ASCII
Compliance with standards and directives	
Directive conformity	
EMC Directive 89/336/EEC	EN 55024
Standard conformity	
Noise immunity	EN 61000-4-2/3/4/6, EN 55022
Emitted interference	EN 55022
Degree of protection	EN 60529
Laser class	IEC 60825-1:2007
Ambient conditions	
Ambient temperature	0 ... 40 °C (32 ... 104 °F)
Storage temperature	-20 ... 60 °C (-4 ... 140 °F)
Mechanical specifications	
Degree of protection	IP20
Connection	System connector for connecting cable or handle
Material	
Housing	plastic
Mass	approx. 180 g
Dimensions	112 mm x 46 mm x 41 mm

Release date: 2022-02-28 Date of issue: 2022-02-28 Filename: 194271_eng.pdf



Accessories

	Vision Configurator	Operating software for camera-based sensors
	ODZ-MAH-B15-M3	Bluetooth modem, configured for USB
	ODZ-MAH-SUPPLY	Power supply
	ODZ-MAH-CAB-R2	Connection cable RS 232 interface

Release date: 2022-02-28 Date of issue: 2022-02-28 Filename: 194271_eng.pdf

Refer to "General Notes Relating to Pepperl+Fuchs Product Information".

Pepperl+Fuchs Group
www.pepperl-fuchs.com

USA: +1 330 486 0001
fa-info@us.pepperl-fuchs.com

Germany: +49 621 776 1111
fa-info@de.pepperl-fuchs.com

Singapore: +65 6779 9091
fa-info@sg.pepperl-fuchs.com