

Accessories

TopScan-S Test Kit

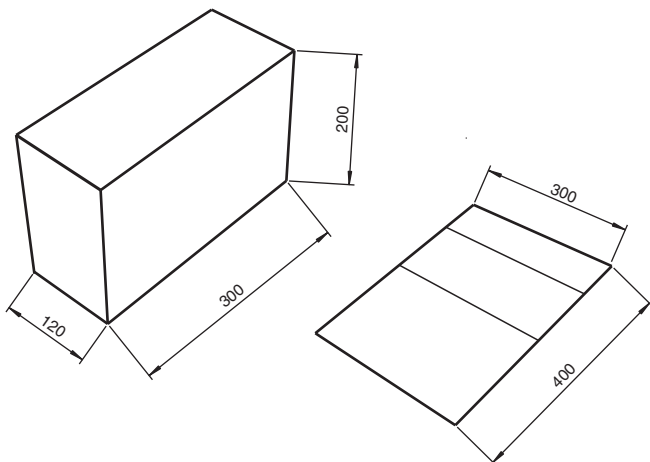


■ Adjustment accessories series TopScan-S

Adjustment accessories TopScan-S



Dimensions



Technical Data

Mechanical specifications

Material	cardboard
Mass	approx. 315 g
Suitable series	
Series	TopScan-S

Release date: 2020-03-23 Date of issue: 2020-10-08 Filename: 199125_eng.pdf

Refer to "General Notes Relating to Pepperl+Fuchs Product Information".

Pepperl+Fuchs Group
www.pepperl-fuchs.com

USA: +1 330 486 0001
fa-info@us.pepperl-fuchs.com

Germany: +49 621 776 1111
fa-info@de.pepperl-fuchs.com

Singapore: +65 6779 9091
fa-info@sg.pepperl-fuchs.com

 **PEPPERL+FUCHS**