



CE

Model Number

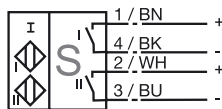
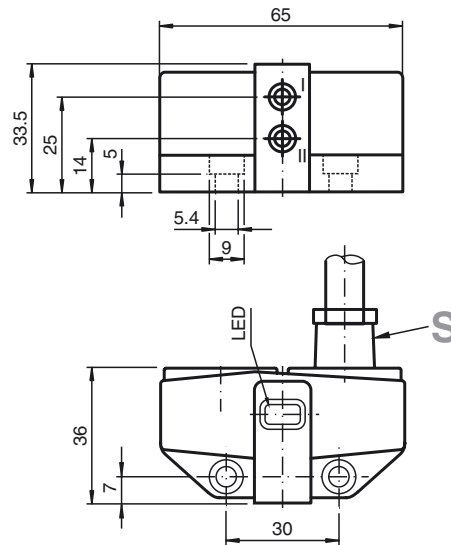
NBN3-F31-Z8-K-10M

Features

- Direct mounting on standard actuators
- Compact and stable housing
- Fixed setting
- Satisfies machinery directive

Connection

Z8-K

**Dimensions****Technical Data****General specifications**

Switching element function	PNP	Dual NO
Rated operating distance	s_n	3 mm
Installation	flush mountable	
Output polarity	DC	
Assured operating distance	s_a	0 ... 2.43 mm
Reduction factor r_{AI}	0.5	
Reduction factor r_{Cu}	0.4	
Reduction factor r_{V2A}	1	
Reduction factor r_{Si37}	1.1	

Nominal ratings

Operating voltage	U_B	6 ... 60 V
Switching frequency	f	0 ... 500 Hz
Hysteresis	H	typ. 5 %
Reverse polarity protected	tolerant	
Short-circuit protection	no	
Voltage drop	U_d	≤ 6 V
Operating current	I_L	4 ... 100 mA
Lowest operating current	I_m	4 mA
Off-state current	I_r	0 ... 1 mA typ. 0.7 mA
Indication of the switching state	LED, yellow	

Limit data

Tightening torque, fastening screws	0.4 Nm
-------------------------------------	--------

Standard conformity

EMC in accordance with	IEC / EN 60947-5-2:2004
Standards	IEC / EN 60947-5-2:2004

Ambient conditions

Ambient temperature	-25 ... 70 °C (-13 ... 158 °F)
---------------------	--------------------------------

Mechanical specifications

Connection (system side)	10 m, PVC cable
Core cross-section (system side)	0.75 mm ²
Housing material	PBT
Sensing face	PBT
Protection degree	IP67