

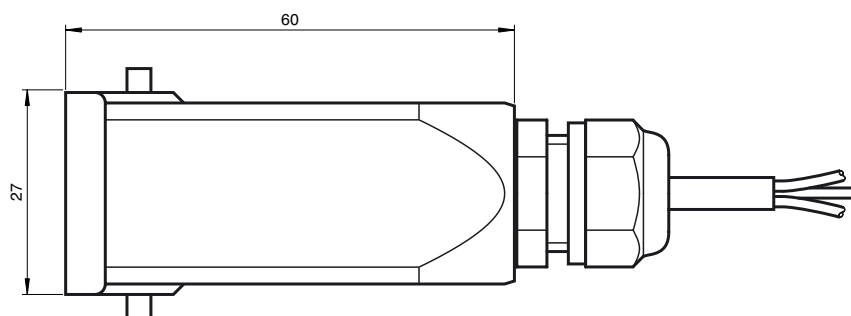


### Model Number

#### V8HAN-G-10M-PVC-ABG

Female cordset, Harting, 8-pin, shielded, PVC cable

### Dimensions



### Technical data

#### General specifications

Number of pins	8
----------------	---

#### Electrical specifications

Rated operating voltage	$U_e$	230/400 V
Operating voltage	$U_B$	50 V
Operating current	$I_B$	10 A
Volume resistance		< 3 m $\Omega$

#### Ambient conditions

Ambient temperature	-40 ... 80 °C (-40 ... 176 °F) (fixed cable)
Pollution Degree	3

#### Mechanical specifications

Pin diameter	1 mm
Degree of protection	IP65
Connection	8 jacks, Harting 8 D , size 3A

#### Material

Contacts	Cu alloy
Contact surface	Au
Body	aluminum and polycarbonate
Cable	PVC

#### Cable

Sheath diameter	$\varnothing 8.7$ mm
Bending radius	> 10 x cable diameter, moving
Color	grey
Cores	8 x 0.5 mm <sup>2</sup>
Shield	grid
Length	L 10 m

#### Flammability

Housing	94 V-0
---------	--------

#### Compliance with standards and directives

Standard conformity	
Degree of protection	EN 60529

### Electrical connection

