

# Female cordset, field attachable

## V23-19-G

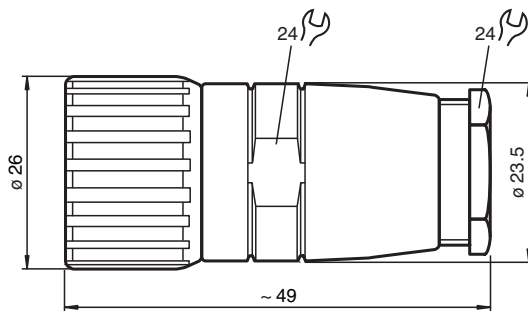
- Sturdy design



Female cordset, field attachable



### Dimensions



### Technical Data

#### General specifications

Connector 1	
Connection	socket
Construction type	M23
Style	straight
Locking	screw connection
Number of pins	19
Coding	A-coded

#### Electrical specifications

Operating voltage	$U_B$	max. 48 V AC / 60 V DC
Operating current	$I_B$	10 A

#### Ambient conditions

Ambient temperature	
Plug connector	-40 ... 125 °C (-40 ... 257 °F)
Storage temperature	-15 ... 35 °C (5 ... 95 °F)
Pollution degree	3

#### Mechanical specifications

Release date: 2020-10-07 Date of issue: 2020-10-07 Filename: 203480\_eng.pdf

Refer to "General Notes Relating to Pepperl+Fuchs Product Information".

Pepperl+Fuchs Group  
www.pepperl-fuchs.com

USA: +1 330 486 0001  
fa-info@us.pepperl-fuchs.com

Germany: +49 621 776 1111  
fa-info@de.pepperl-fuchs.com

Singapore: +65 6779 9091  
fa-info@sg.pepperl-fuchs.com

 PEPPERL+FUCHS

## Technical Data

<b>Plug connector</b>	
Mating cycles	50
Degree of protection	IP67
Connection	Solder connection for max. 1 mm <sup>2</sup>
<b>Cable</b>	
Sheath diameter	2 mm ... 14.5 mm
<b>Material</b>	
Plug connector	
Knurled screw connection	CuZn
Body	CuZn
Seal	FPM
Contact surface	Au

## Connection

