



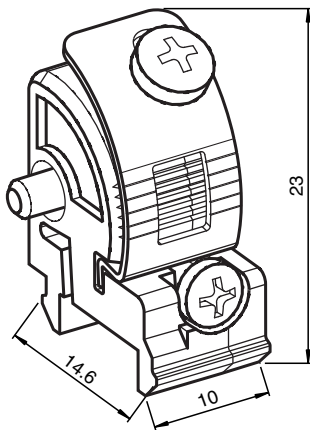
Mounting aid DGE AIR 16 S Einclipsbar Set



Bearing block for AIR17-S sensor module for installation in TopScan-S profile section



Dimensions



Technical Data

Mechanical specifications

Material	Polyamide, spring steel
Mass	approx. 5 g
Mounting	Mounting accessories included

General information

Packing unit	2 item(s)
--------------	-----------

Suitable series

Series	TopScan-S
--------	-----------

Release date: 2020-03-23 Date of issue: 2020-10-08 Filename: 204396_eng.pdf

Refer to "General Notes Relating to Pepperl+Fuchs Product Information".

Pepperl+Fuchs Group
www.pepperl-fuchs.com

USA: +1 330 486 0001
fa-info@us.pepperl-fuchs.com

Germany: +49 621 776 1111
fa-info@de.pepperl-fuchs.com

Singapore: +65 6779 9091
fa-info@sg.pepperl-fuchs.com

PF PEPPERL+FUCHS