

RFID Transponder

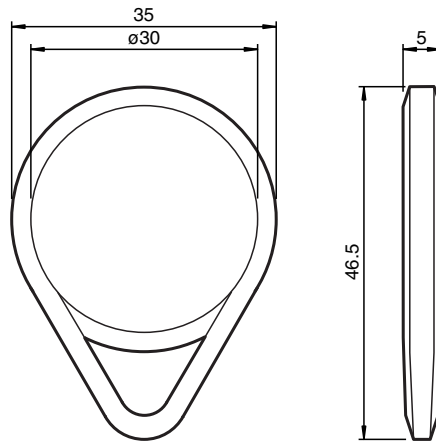
IPC03-20K6

- Battery-free data carrier
- 32 bit fixcode
- 928 bits memory available
- Readable and writable from both sides
- Degree of protection IP67
- Key fob

Data carrier



Dimensions



Technical Data

General specifications	
Operating frequency	125 kHz
Transfer rate	2 kBit/s
Color	green
Memory	
Chip Type	EM4450 Titan (EM Microelectronic)
EEPROM	928 Bit
Read cycles	unlimited
Write cycles	> 100000
Data retention period	> 10 years
Directive conformity	
Radio equipment	
Directive 2014/53/EU	EN 300330
RoHS	
Directive 2011/65/EU (RoHS)	IEC/EN 63000
Standard conformity	
Degree of protection	EN 60529

Release date: 2022-12-15 Date of issue: 2022-12-15 Filename: 204741_eng.pdf

Refer to "General Notes Relating to Pepperl+Fuchs Product Information".

Technical Data

RFID	ISO/IEC 18000-2
Ambient conditions	
Ambient temperature	-20 ... 80 °C (-4 ... 176 °F)
Storage temperature	-20 ... 80 °C (-4 ... 176 °F)
Mechanical specifications	
Housing length	46.5 mm
Housing width	35 mm
Housing height	5 mm
Housing diameter	35 mm
Degree of protection	IP67
Material	
Housing	PC (Polycarbonate)
Installation	
In air	yes
Construction type	Key fob

Application

The transponder can be read and written from either side.