



**Model Number**

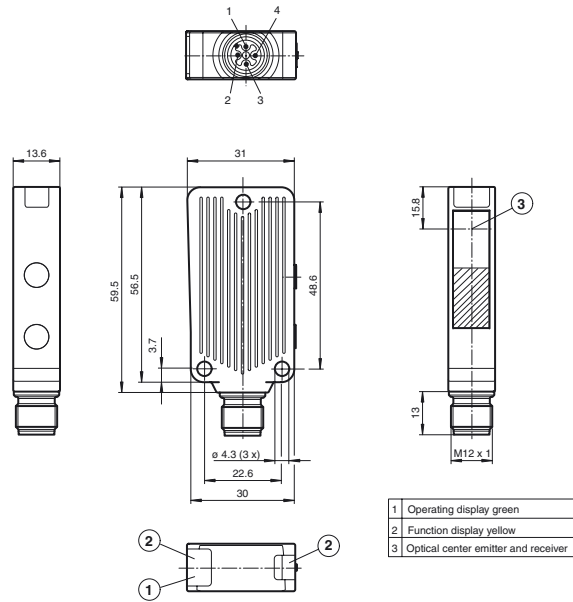
**MLV41-54-G-3957**

Retroreflective sensor  
with 5-pin, M12 x 1 connector

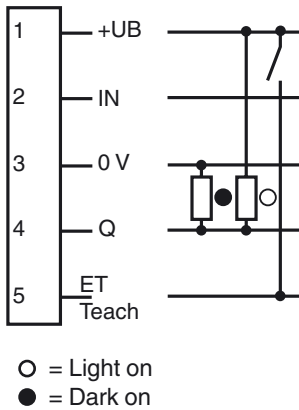
**Features**

- Rugged series in corrosion-resistant metal housing
- Reliable recognition of reflective objects and clear glass
- TEACH-IN procedure for automatic threshold value setting
- Automatic adjustment in case of soiling in contrast detection mode
- Resistant against noise: reliable operation under all conditions

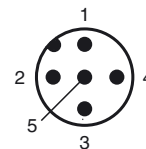
**Dimensions**



**Electrical connection**



**Pinout**



Release date: 2013-02-04 14:12 Date of issue: 2013-02-18 205414\_eng.xml

**Technical data****General specifications**

Effective detection range	0 ... 1 m in TEACH mode 0 ... 1.3 m in normal mode
Reflector distance	0 ... 1 m in TEACH mode 0 ... 1.3 mm in normal mode
Threshold detection range	1.6 m
Reference target	Reflective tape, cut to size 14.6 x 70 mm
Light source	LED
Light type	modulated visible red light , 660 nm
Angle deviation	max. $\pm 1^\circ$
Diameter of the light spot	approx. 8 mm at detection range 40 mm
Angle of divergence	1.5 °
Ambient light limit	40000 Lux

**Functional safety related parameters**

MTTF <sub>d</sub>	900 a
Mission Time (T <sub>M</sub> )	20 a
Diagnostic Coverage (DC)	0 %

**Indicators/operating means**

Operating display	LED green, statically lit Power on , Undervoltage indicator: Green LED, pulsing (approx. 0.8 Hz) , short-circuit : LED green flashing (approx. 4 Hz)
Function display	2 LEDs yellow for switching state, stability control, TEACH-IN and contrast detection mode
Contrast detection levels	10 % - clean, water filled PET bottles 18 % - clear glass bottles 40 % - colored glass or opaque materials

**Electrical specifications**

Operating voltage	U <sub>B</sub>	10 ... 30 V DC
Ripple		max. 10 %
No-load supply current	I <sub>0</sub>	max. 35 mA

**Input**

Control input	- with open input: sensor operation - with positive flank is reset at the output - the output is set at high level if the light path is free - at low level if no sensor function, the output signal is saved until the next positive flank
Function input	Ext. Teach-In input (ET)

**Output**

Switching type	PNP dark on, NPN light on	
Signal output	1 push-pull (4 in 1) output, short-circuit protected, reverse polarity protected	
Switching voltage	max. 30 V DC	
Switching current	max. 100 mA	
Voltage drop	U <sub>d</sub>	$\leq 2.5$ V DC
Switching frequency	f	1000 Hz
Response time		0.5 ms

**Ambient conditions**

Ambient temperature	-40 ... 60 °C (-40 ... 140 °F)
Storage temperature	-40 ... 75 °C (-40 ... 167 °F)

**Mechanical specifications**

Protection degree	IP67
Connection	M12 x 1 connector, 5-pin
Material	
Housing	aluminum , Delta-Seal coated
Optical face	glass pane
Connector	metal
Mass	50 g

**Compliance with standards and directives**

Directive conformity	
EMC Directive 2004/108/EC	EN 60947-5-2:2007
Standard conformity	
Product standard	EN 60947-5-2:2007 IEC 60947-5-2:2007

**Approvals and certificates**

Protection class	II, rated voltage $\leq 50$ V AC with pollution degree 1-2 according to IEC 60664-1 , functional insulation acc. to DIN EN 50178
UL approval	cULus Listed 57M3 (Only in association with UL Class 2 power supply; Type 1 enclosure)
CCC approval	CCC approval / marking not required for products rated $\leq 36$ V

**Additional information****Accessories****OMH-41**

Mounting bracket

**OMH-09**

Mounting bracket for Sensors series MLV41 for M12 rod mounting

Other suitable accessories can be found at [www.pepperl-fuchs.com](http://www.pepperl-fuchs.com)

**Ext. Teach input:**

By applying an external high-impulse of a certain width, a teach-in mechanism is triggered which enables the selection of the appropriate level of contrast recognition.

- I: 50 ms (30 ... 80 ms)
- II: 150 ms (120 ... 180 ms)
- III: 250 ms (220 ... 280 ms)
- N: 350 ms (320 ... 380 ms)