

Mounting aid Safety

TR 14/30/50/60

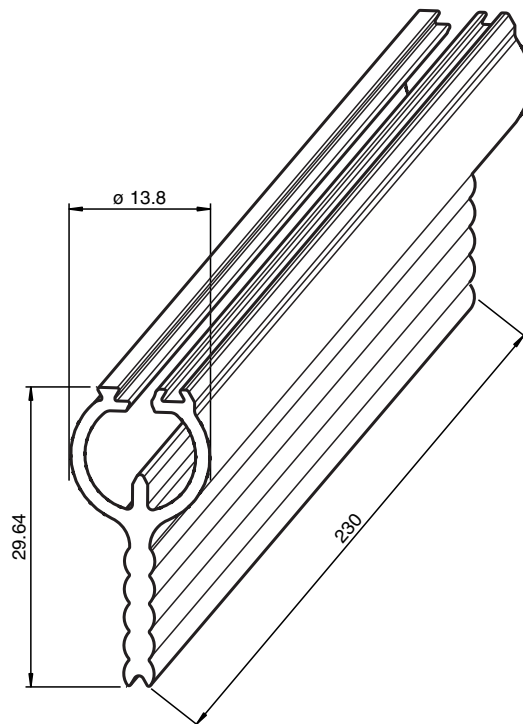


- Universal test rod for device test of all light curtains from the SLCT and SLCS series

Test rod for safety light curtain SLCT



Dimensions



Technical Data

Mechanical specifications

Material	Aluminum
Mass	approx. 105 g

Release date: 2020-03-23 Date of issue: 2020-10-06 Filename: 205992_eng.pdf

Refer to "General Notes Relating to Pepperl+Fuchs Product Information".

Pepperl+Fuchs Group
www.pepperl-fuchs.com

USA: +1 330 486 0001
fa-info@us.pepperl-fuchs.com

Germany: +49 621 776 1111
fa-info@de.pepperl-fuchs.com

Singapore: +65 6779 9091
fa-info@sg.pepperl-fuchs.com

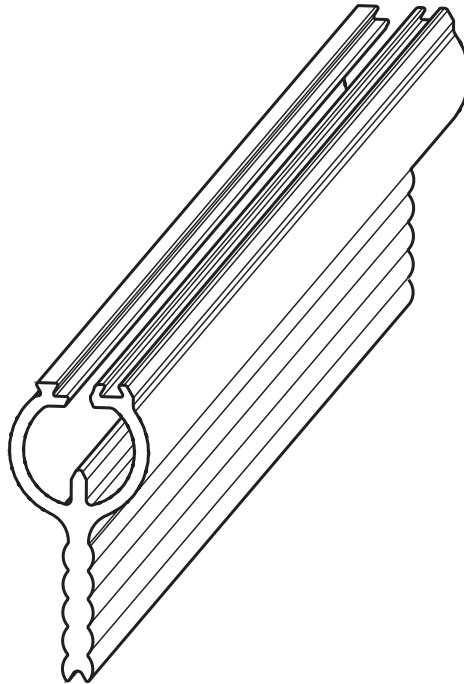
PEPPERL+FUCHS

Technical Data

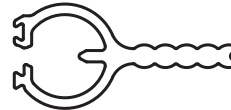
Suitable series

Safety Series	SLCT SLCS
---------------	--------------

Assembly



Prüfstab
Test rod
Barra de prueba
Provino a sbarretta
14 mm



Prüfstab
Test rod
Barra de prueba
Provino a sbarretta
30 mm



Prüfstab
Test rod
Barra de prueba
Provino a sbarretta
50 mm



Prüfstab
Test rod
Barra de prueba
Provino a sbarretta
60 mm

