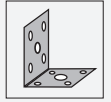




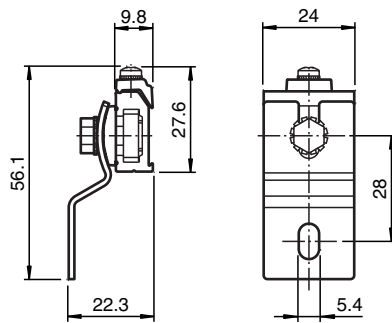
# Mounting aid OMH-SLCT-04



- Mounting bracket
- Simple and fast mounting

Mounting bracket including adjustment (with loose bearing)

## Dimensions



## Technical Data

<b>General specifications</b>	
Setting angle	$\pm 7^\circ$
<b>Mechanical specifications</b>	
Material	Aluminum
Mass	approx. 34 g
<b>General information</b>	
Scope of delivery	Mounting bracket ; 1 Slotted plate ; 4 T-slides ; Screw kit ; Screwdriver
<b>Suitable series</b>	
Safety Series	SLCT SLCS

Release date: 2020-11-09 Date of issue: 2020-11-09 Filename: 205993\_eng.pdf

Refer to "General Notes Relating to Pepperl+Fuchs Product Information".

Pepperl+Fuchs Group  
www.pepperl-fuchs.com

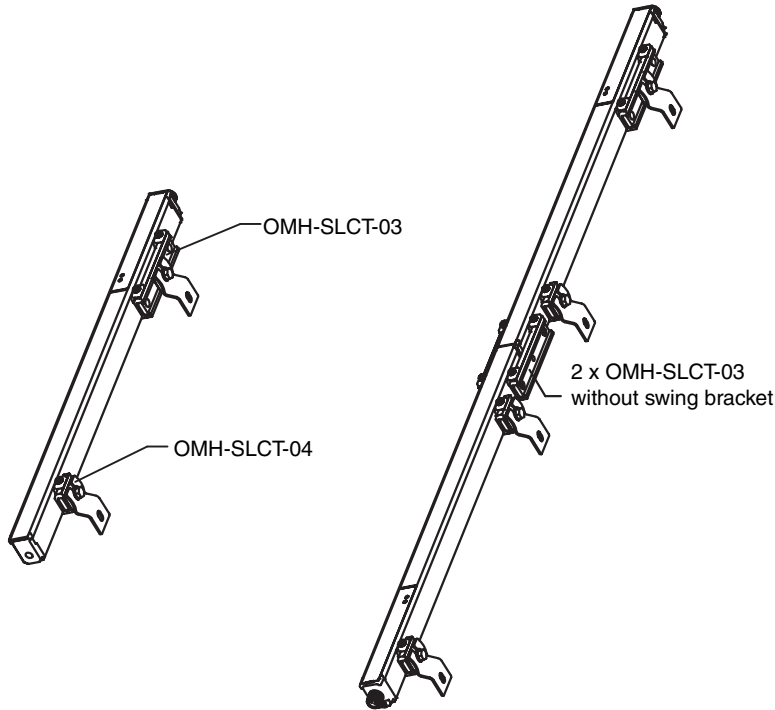
USA: +1 330 486 0001  
fa-info@us.pepperl-fuchs.com

Germany: +49 621 776 1111  
fa-info@de.pepperl-fuchs.com

Singapore: +65 6779 9091  
fa-info@sg.pepperl-fuchs.com

**PF** PEPPERL+FUCHS

Mounting



Release date: 2020-11-09 Date of issue: 2020-11-09 Filename: 205993\_eng.pdf

Refer to "General Notes Relating to Pepperl+Fuchs Product Information".

Pepperl+Fuchs Group  
www.pepperl-fuchs.com

USA: +1 330 486 0001  
fa-info@us.pepperl-fuchs.com

Germany: +49 621 776 1111  
fa-info@de.pepperl-fuchs.com

Singapore: +65 6779 9091  
fa-info@sg.pepperl-fuchs.com

## Mounting

Each package comes with a slotted plate.

To prevent the t-slides from clipping into the upper hole, cover the hole with the slotted plate.

Then slide the t-slides into the guide.

