



Model Number

MD17/MV17/136/143

Thru-beam sensor
with 4-pin, M8 x 1 connector

Features

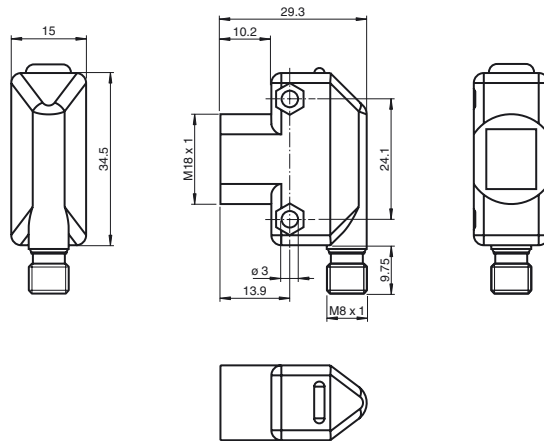
- Compact series in universal housing for standard applications
- Miniature design
- Front mounting with M18-threads or side mounting holes
- 360° high visibility LEDs
- Time-saving mounting with quick clamp system

Product information

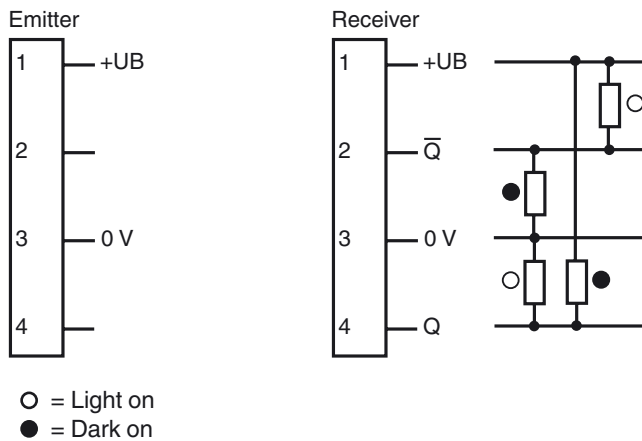
The ML17 sensor family offers diverse connection and installation options, which means that it can adapt to the most varied automation tasks. In addition to the usual fitting method using M4 screws, these sensors can also be installed by means of M18 threaded insert. All devices are equipped with a green Power On display and a yellow function display. These displays are arranged in such a way that they are clearly visible from different directions.

Release date: 2013-01-03 21:41 Date of issue: 2013-01-03 208373_eng.xml

Dimensions



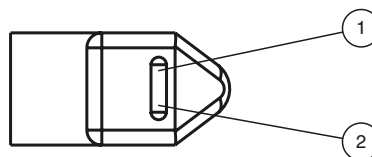
Electrical connection



Pinout



Indicators/operating means



1	Signal display	yellow
2	Operating display	green

Technical data**System components**

Emitter	MD17/143
Receiver	MV17/136/143

General specifications

Effective detection range	0 ... 15 m
Threshold detection range	20 m
Light source	IREL
Light type	modulated infrared light , 950 nm
Ambient light limit	≤ 10000 Lux

Indicators/operating means

Operating display	LED green
Function display	LED yellow, lights up with receiver lit

Electrical specifications

Operating voltage	U_B	10 ... 30 V DC , class 2
Ripple		max. 10 %
No-load supply current	I_0	< 25 mA
Operating current		100 mA max per output
Time delay before availability	t_v	≤ 200 ms

Output

Switching type	light/dark on	
Signal output	2 push-pull (4 in 1) outputs, short-circuit protected, reverse polarity protected, overvoltage protected	
Switching voltage	max. 30 V DC	
Switching current	max. 100 mA	
Voltage drop	U_d	≤ 2 V DC
Switching frequency	f	150 Hz
Response time		≤ 3 ms

Ambient conditions

Ambient temperature	-20 ... 55 °C (-4 ... 131 °F)
Storage temperature	-20 ... 75 °C (-4 ... 167 °F)

Mechanical specifications

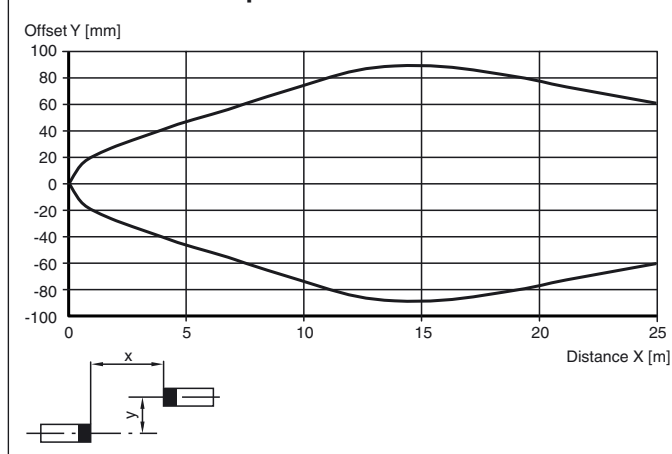
Protection degree	IP67
Connection	M8 x 1 connector, 4-pin
Material	
Housing	ABS
Optical face	Acrylic
Mass	approx. 17 g (emitter and receiver)

Compliance with standards and directives

Standard conformity	
Product standard	EN 60947-5-2:2007 IEC 60947-5-2:2007
Standards	EN 50178, UL 508

Approvals and certificates

UL approval	cULus
CCC approval	Products with a maximum operating voltage of ≤36 V do not bear a CCC marking because they do not require approval.

Curves/Diagrams**Characteristic response curve****Accessories**

OMH-ML17-EZ
Mounting bracket

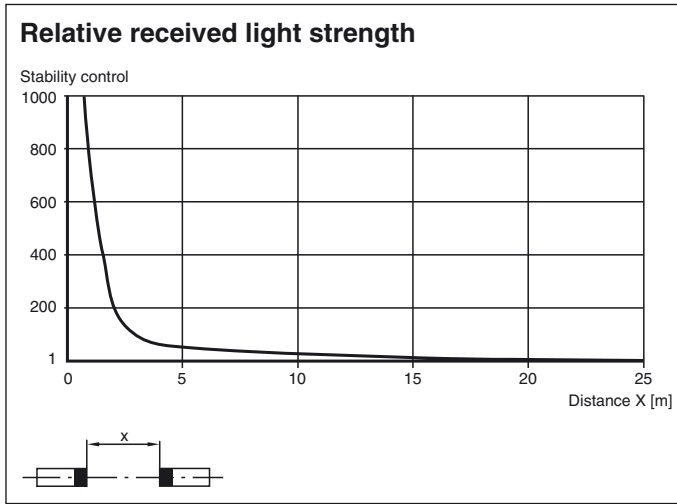
OMH-ML17
Mounting bracket

OMH-ML17-1
Mounting bracket

V31-WM-2M-PUR
4-pin, M8 socket, PUR cable

V31-GM-2M-PUR
4-pin, M8 socket, PUR cable

Other suitable accessories can be found at www.pepperl-fuchs.com



Release date: 2013-01-03 21:41 Date of issue: 2013-01-03 208373_eng.xml

Subject to modifications without notice

Pepperl+Fuchs Group
www.pepperl-fuchs.com

USA: +1 330 486 0001
fa-info@us.pepperl-fuchs.com

Germany: +49 621 776-4411
fa-info@pepperl-fuchs.com

Copyright Pepperl+Fuchs
Singapore: +65 6779 9091
fa-info@sg.pepperl-fuchs.com