



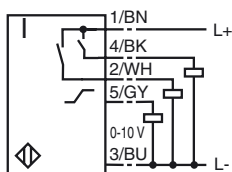
Order Code

**PMI360D-F130-UE8-V15-
Y208934**

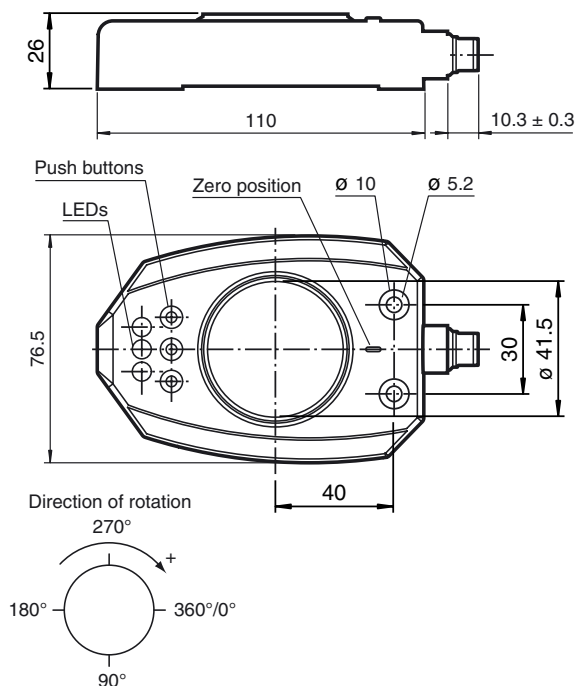
Features

- Measuring range 0 ... 360°
- Adjustable switch points
- Analogue output 0 V ... 10 V

Electrical Connection



Dimensions



Technical Data

General specifications

Installation	not embeddable
Measuring range	360°
Rotational speed	≤ 100 min ⁻¹

Nominal ratings

Operating voltage U _B	18 ... 30 V
Reverse polarity protection	protected against reverse polarity
Repeat accuracy	0.5°
Resolution	0.4°
Temperature drift	1.5° (-25 °C ... 70 °C)
No-load supply current I ₀	≤ 45 mA
Operating voltage display	LED green

Switching output

Output type	2 switch outputs pnp, NO, protected against reverse polarity, short-circuit proof
Operating current I _L	≤ 100 mA
Voltage drop	≤ 3 V
Short-circuit protection	pulsing

Analogue output

Output type	1 voltage output: 0 ... 10 V
Linearity error	≤ 1.2 °
Load resistor	≥ 1000 Ω

Ambient conditions

Ambient temperature	-25 ... 70 °C (248 ... 343 K)
---------------------	-------------------------------

Mechanical specifications

Connection type	connector M12 x 1, 5-pin
Housing material	PBT
Shaft diameter	≤ 27.5 mm Steel
Protection degree	IP67
Mass	180 g

Description of Sensor Functions

This Sensor provides functions, which are different from the series standards!

Note:

The basic parts of the standard devices instruction manual is also valid for this sensor. It is supplemented or partly replaced by the description below.

Programming of the Sensor

When connecting the sensor to the power supply, the sensor's Programming Buttons are locked. The green power on indicator LED is permanently on.

Activation of the Programming Mode

To activate the programming mode, press both Programming Buttons S1 and S2 simultaneously for 10 s. The sensor shifts to programming mode. This is indicated by a flashing green LED.

Programming of the Switch Points and the Analog Range

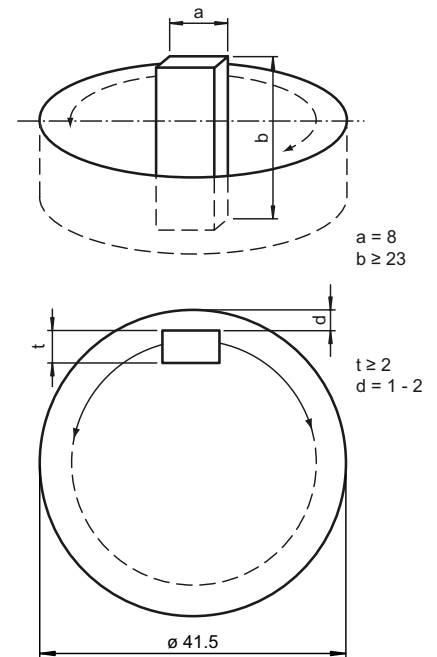
Programming of the switch points and the analog range can now be performed like described in the instruction manual. Instead of the described current output this sensor provides with a voltage output. While programming the analog range, all LEDs S0, S1 and S2 flash.

Completing the Programming mode

To complete the programming mode, press both Programming Buttons S1 and S2 simultaneously for 10 s. The sensor shifts to normal operation mode. This is indicated by the green LED, which is now permanently on.

Characteristic Curves/Additional Information

dimensions of the target object:



Accessories

BT-F130-A
Activator

V15-G-2M-PVC
Cable connector

V15-W-2M-PVC
Cable connector