



Model number

VAA-3E-HH30-J-S-V1

AS-Interface enabling switch, 3-layered

Features

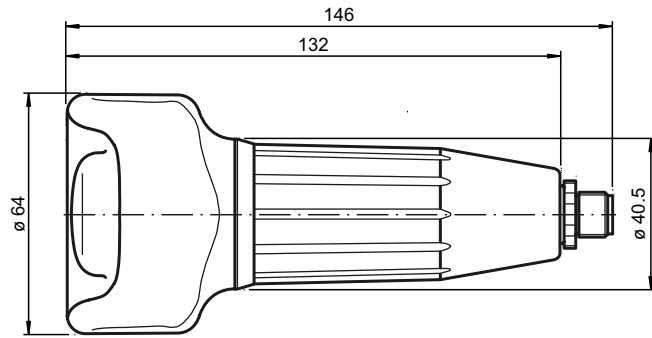
- 3-layered with panic function
- Ergonomic construction with high manipulation security
- M12 plug connection
- Degree of protection IP67

Function

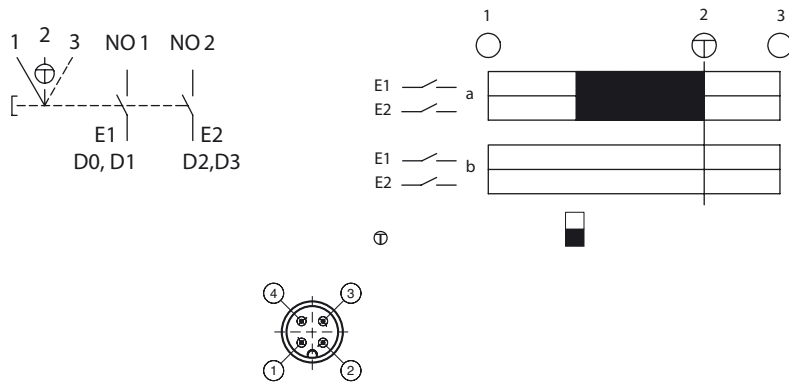
The enabling switch, VAA-3E-HH30-J-S-V1, is a 3-stage actuation switch with 2 inputs. NO contacts E1 and E2 are monitored via the inputs. Evaluation takes place via a safety monitor.

Connection is via an M12 plug. The enabling switch is powered via the AS-Interface. The 3-stage slow-action contact element activates the enabling function only in the second stage. The second stage is the center position and has a pressure point. The enabling function is cancelled by releasing the button as well as by pressing it down. Pressing the button down is also referred to as the panic function. When the depressed button is returned to its initial position, the enabling function is no longer activated. The enabling button has NC contacts for the panic function.

Dimensions



Indicating / Operating means



Technical data

General specifications

| | |
|-------------------------------|--------------------------------------|
| Slave type | Safety-Slave |
| AS-Interface specification | V2.1 |
| Required master specification | ≥ V2.0 |
| Switching principle | slow-acting contact element, 3-stage |
| UL File Number | E179102 |

Functional safety related parameters

| | |
|------------------------|-------|
| Performance level (PL) | PL d |
| B _{10d} | 1 E+5 |

Electrical specifications

| | | |
|--------------------------|----------------|-----------------------------------|
| Rated operating voltage | U _e | 26.5 ... 31.6 V from AS-Interface |
| Rated operating current | I _e | ≤ 45 mA |
| Rated insulation voltage | | 50 V |

Input

| | |
|-------------|--|
| Number/Type | 2 safety-related inputs: NO E1 NO E2 |
| Supply | from AS-Interface |

Directive conformity

| | |
|-------------------------------|-----------------|
| Electromagnetic compatibility | |
| Directive 2014/30/EU | EN 62026-2:2013 |

Standard conformity

| | |
|----------------------|---|
| Degree of protection | EN 60529:2000 |
| AS-Interface | EN 62026-2:2013 |
| Functional safety | DIN EN 954-1, EN ISO 13849-1 (up to PL _d) |

Programming instructions

| | |
|---------|-------|
| Profile | S-0.B |
| IO code | 0 |
| ID code | B |

Release date: 2019-01-09 10:03 Date of issue: 2019-01-09 21:0512_eng.xml

Refer to "General Notes Relating to Pepperl+Fuchs Product Information".

| | |
|--|------------------------------------|
| ID1 code | F |
| ID2 code | E |
| Data bits (function via AS-Interface) | Input |
| D0 | dyn. safety code 1 |
| D1 | dyn. safety code 1 |
| D2 | dyn. safety code 2 |
| D3 | dyn. safety code 2 |
| Ambient conditions | |
| Ambient temperature | -5 ... 50 °C (23 ... 122 °F) |
| Mechanical specifications | |
| Degree of protection | IP67 |
| Connection | M12 x 1 connector |
| Material | |
| Housing | Polyamide (PA) |
| Protective cover | Neoprene |
| Mass | approx. 140 g (without conduction) |
| Life span | 10 ⁵ cycles |

Accessories

VAZ-HH30-BRACKET

Bracket for VAA-3E-HH30-J-S-V1

VAZ-T1-FK-V1

Splitter box AS-Interface to 1x M12 round connector

V1-G-0,6M-PUR-V1-G

Connection cable, M12 to M12, PUR cable, 4-pin

V1-G-1M-PUR-V1-G

Connection cable, M12 to M12, PUR cable, 4-pin

V1-G-10M-PUR-V1-G

Connection cable, M12 to M12, PUR cable, 4-pin

Release date: 2019-01-09 10:03 Date of issue: 2019-01-09 210512_eng.xml