

RFID Transponder

IQC21-85-T13

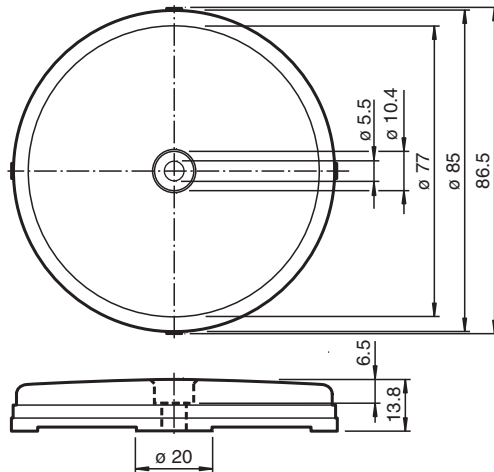


- Operating frequency 13.56 MHz
- Conforms to ISO 15693
- Degree of protection IP68 / IP69K
- With extended temperature range up to 220 °C (428 °F)
- Mounting holes for simple installation

Data carrier



Dimensions



Technical Data

General specifications	
Operating frequency	13.56 MHz
Transfer rate	26 kBit/s
Memory	
Chip Type	I-CODE SLI (NXP)
EEPROM	896 Bit
UID	64 Bit
Memory organization	4 bytes/block
Read cycles	unlimited
Write cycles	> 1000000 at 40 °C
Data retention period	10 years at 55 °C (131 °F)
Directive conformity	
Radio equipment	
Directive 2014/53/EU	EN 300330
RoHS	
Directive 2011/65/EU (RoHS)	IEC/EN 63000
Standard conformity	

Release date: 2022-12-15 Date of issue: 2022-12-15 Filename: 212335_eng.pdf

Refer to "General Notes Relating to Pepperl+Fuchs Product Information".

Pepperl+Fuchs Group
www.pepperl-fuchs.com

USA: +1 330 486 0001
fa-info@us.pepperl-fuchs.com

Germany: +49 621 776 1111
fa-info@de.pepperl-fuchs.com

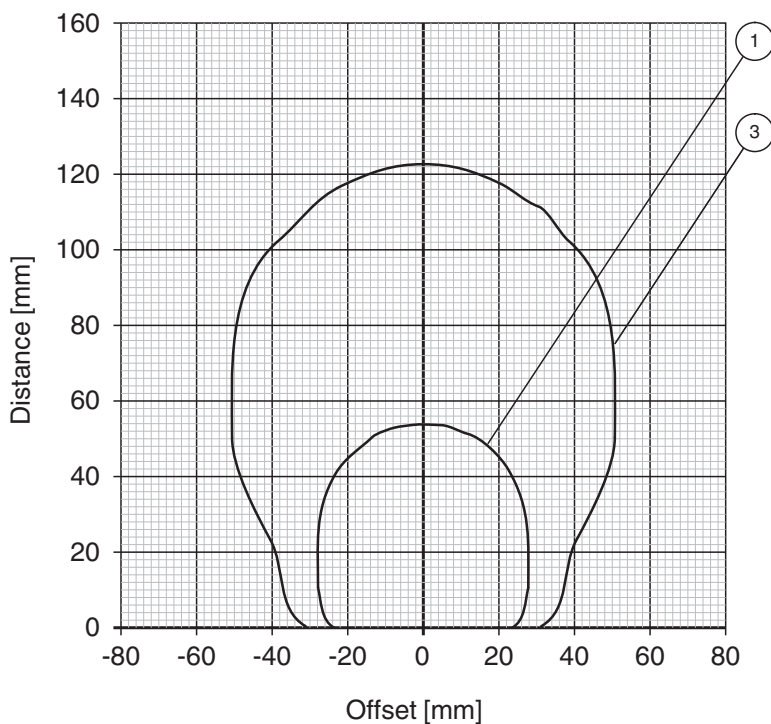
Singapore: +65 6779 9091
fa-info@sg.pepperl-fuchs.com

PEPPERL+FUCHS

Technical Data

Degree of protection	EN 60529
Shock resistance	EN 60721-3-7 Class 7M3
RFID	ISO/IEC 15693-1 ISO/IEC 15693-2 ISO/IEC 15693-3 ISO/IEC 18000-3
Ambient conditions	
Ambient temperature	-25 ... 100 °C (-13 ... 212 °F)
Storage temperature	-40 ... 100 °C (-40 ... 212 °F) 200 °C (473 K) for 5000 hours or 3000 cycles 220 °C (493 K) for 2000 hours or 1500 cycles
Shock and impact resistance	Vibration: 20 g Shock: 50 g
Mechanical specifications	
Housing height	15 mm
Housing diameter	85 mm
Degree of protection	IP68 / IP69K
Material	PPS
Installation	
In air	yes
Mass	approx. 50 g
Construction type	Cylindrical

Reading range in air IQC21-85-T13



Release date: 2022-12-15 Date of issue: 2022-12-15 Filename: 212335_eng.pdf

Refer to "General Notes Relating to Pepperl+Fuchs Product Information".

Pepperl+Fuchs Group
www.pepperl-fuchs.com

USA: +1 330 486 0001
fa-info@us.pepperl-fuchs.com

Germany: +49 621 776 1111
fa-info@de.pepperl-fuchs.com

Singapore: +65 6779 9091
fa-info@sg.pepperl-fuchs.com

- ① IQH1-18GM-V1
- ② IQH1-F61-V1
- ③ IQH1-FP-V1
- ④ IQH1-F15-V1

Accessories

	IQZ-MH-85	Spacers for code/data carrier
---	------------------	-------------------------------

Release date: 2022-12-15 Date of issue: 2022-12-15 Filename: 212335_eng.pdf

Refer to "General Notes Relating to Pepperl+Fuchs Product Information".

Pepperl+Fuchs Group
www.pepperl-fuchs.com

USA: +1 330 486 0001
fa-info@us.pepperl-fuchs.com

Germany: +49 621 776 1111
fa-info@de.pepperl-fuchs.com

Singapore: +65 6779 9091
fa-info@sg.pepperl-fuchs.com

Mounting

A central M5 mounting screw is used to fix the holder. A metal screw can be used without significantly affecting the maximum range. Use a stainless steel screw at high temperatures.

To prevent damage as a result of high temperatures, an additional spacer should be used.

High temperatures (> 80 °C) will cause the enclosure to expand. If the enclosure is assembled under mechanical stress, the resulting pressure may damage the data carrier. The enclosure must be assembled loosely, taking into account the expansion coefficients of all materials.

Reading and writing is not possible at ambient temperatures above 140 °C.