



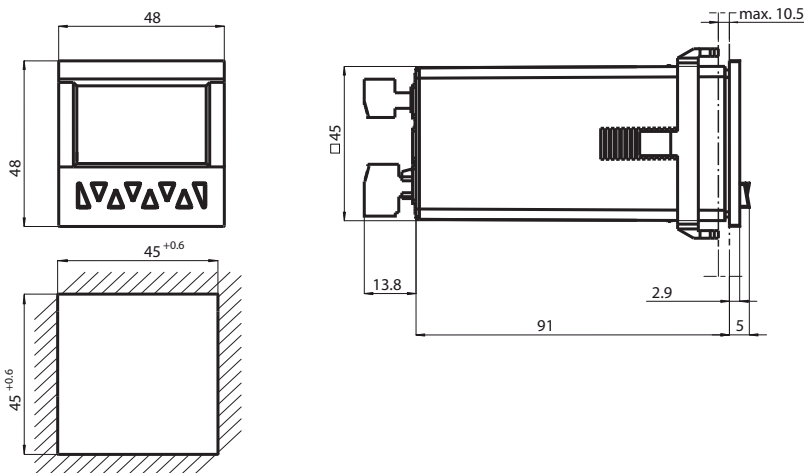
## Timer, Counter, Tachometer KC-LCDC-48-6T-230VAC

- Counter/Timer/Tachometer
- Adding/subtracting via 2 separate inputs
- Batch controller with 6 pre-selections
- 6 floating optocoupler outputs
- Easy-to-read, 2-line LCD display with symbols for indicated pre-selection and the status of the two outputs
- Multicolor display
- Display range and preselection range from -999999 up to 999999  
Overflow will be evaluated correctly up to 1 decade
- PNP and NPN sensors can be connected
- Degree of protection IP65 (front only)

LCD batch controller with 6 optocoupler outputs and 90 ... 260 VAC supply voltage



### Dimensions



### Technical Data

#### General specifications

Pre-selection	6-fold
Data storage	> 10 years, EEPROM
Programming	keypad-driven menu

#### Indicators/operating means

Type	2-line, 2 x 6-digit LC display with leading sign Multicolor, backlit
Display value	digit height 9 mm
Pre-selection	digit height 7 mm
Key interlock	via "high" potential at "LOCK" input
Decimal point	0 to max 5 fractional digits
Scale factor	0.0001 ... 99.9999
Reset	manually or external

#### Electrical specifications

Fusing	90 ... 260 V AC: T 0.1 A
Operating voltage	U <sub>B</sub> 90 ... 260 V AC
Power consumption	P <sub>0</sub> max. 8 VA

Release date: 2023-11-21 Date of issue: 2023-11-21 Filename: 215120\_eng.pdf

Refer to "General Notes Relating to Pepperl+Fuchs Product Information".

Pepperl+Fuchs Group  
www.pepperl-fuchs.com

USA: +1 330 486 0001  
fa-info@us.pepperl-fuchs.com

Germany: +49 621 776 1111  
fa-info@de.pepperl-fuchs.com

Singapore: +65 6779 9091  
fa-info@sg.pepperl-fuchs.com

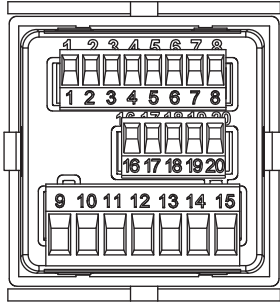
 PEPPERL+FUCHS

## Technical Data

Input	
Connection	Counter inputs: A and B Control/reset inputs: LOCK, RESET, GATE, MPI
Signal voltage	
High	12 ... 30 V DC
Low	0 ... 4 V DC
Counting frequency	max. 50 kHz
Minimum pulse duration	Control/reset inputs: 10 ms / 1 ms
Impedance	5 kOhm
Count modes	
Pulse counter	Counting with counting direction (cnt.dir), difference counting (up.dn), up/down counting (quad), Cumulative counting (up.up), up/down counting x 2 (quad 2), up/down counting x 4 (quad 4), additional functions for counter input A and counter input B: A/B, (A-B)/A x 100%
Frequency counter	functions for input A and input B: A, A-B, A+B quad, A/B, (A-B)/A x 100 %
Timer	Time measurement via GATE input (FrErun), counter input A: Start, counter input B: Stop (InpA.InpB.), counter input B: Start/Stop (InpB.InpB.), time measuring via RESET input (auto)
Output	
Sensor supply	20.4 ... 27.6 V DC, max. 80 mA
Response time	Add/Sub/autorepeat < 6 ms A/B; (A-B)/A: < 23 ms
Optocoupler	output 1 to 6, NPN-Opto coupler output 3 to 6 with common emitter Schaltleistung 30 V DC / 10 mA
Signal voltage	$U_{CESAT}$ with IC = 10 mA: max. 2 V $U_{CESAT}$ with IC = 5 mA: max. 0.4 V
Compliance with standards and directives	
Directive conformity	
Low Voltage Directive 2006/95/EC	EN 61010-1:2001; protection class: 2
EMC Directive 2004/108/EC	EN 61000-6-2:2005, EN 50295:1999
Standard conformity	
Emitted interference	DIN EN 55011:2009, Class B
Mech. capacity	EN 60068-2-6:2008 10 ... 55 Hz / 1 mm / XYZ 30 min in each direction
Shock and impact resistance	EN 60068-2-27:1995 100 G / 2 ms / XYZ 3 times in each direction
Ambient conditions	
Ambient temperature	-20 ... 65 °C (-4 ... 149 °F)
Storage temperature	-25 ... 75 °C (-13 ... 167 °F)
Relative humidity	≤ 93 % at 40 °C (noncondensing)
Altitude	0 ... 2000 m
Pollution degree	2
Mechanical specifications	
Degree of protection	IP65 (front)
Mass	approx. 151 g
Dimensions	48 mm x 48 mm x 109.8 mm

Release date: 2023-11-21 Date of issue: 2023-11-21 Filename: 215120\_eng.pdf

**Connection**



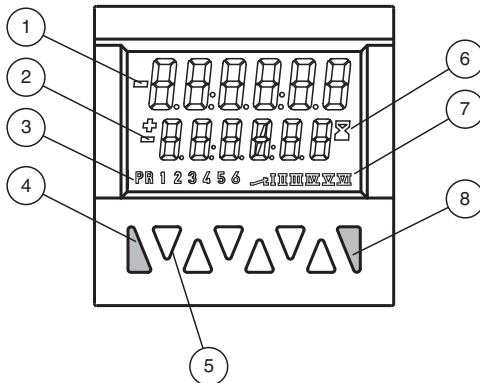
**Signal and control inputs**

- 1 Sensor supply voltage
- 2 GND (0V)
- 3 INP A (Signal input A)
- 4 INP B (Signal input B)
- 5 RESET (Reset input)
- 6 LOCK (Input Keypad lock)
- 7 GATE (Gate input)
- 8 MPI (User input)

**Supply voltage and outputs**

- 9 Collector
  - 10 Emitter
  - 11 Collector
  - 12 not connected
  - 13 Emitter
  - 14 10 ... 30 V DC
  - 15 GND (0V)
  - 16 Common Emitter
  - 17 Collector 6
  - 18 Collector 5
  - 19 Collector 4
  - 20 Collector 3
- Output 1 (9, 10)  
 Output 2 (11, 12, 13)  
 Supply voltage (14, 15)  
 Output 3 - 6 (16, 17, 18, 19, 20)

**Assembly**



- 1 Current count value
- 2 Preset value
- 3 Indicator preset value (at 9)
- 4 Reset key
- 5 Decade keys 1 to 6 / Keys for programming
- 6 Run display for timer
- 7 Shows the active output
- 8 Prog/Mode key

Release date: 2023-11-21 Date of issue: 2023-11-21 Filename: 215120\_eng.pdf

Refer to "General Notes Relating to Pepperl+Fuchs Product Information".

Pepperl+Fuchs Group  
www.pepperl-fuchs.com

USA: +1 330 486 0001  
fa-info@us.pepperl-fuchs.com

Germany: +49 621 776 1111  
fa-info@de.pepperl-fuchs.com

Singapore: +65 6779 9091  
fa-info@sg.pepperl-fuchs.com