

Pulse/batch controller

KC-LCD-24-24VDC

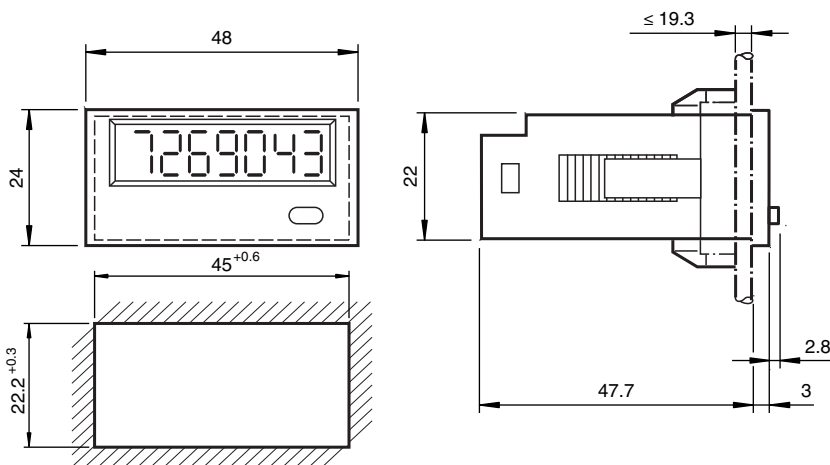


- PNP and NPN sensors can be connected
- Easy-to-read 7-digit LCD display
- Degree of protection IP65 (front only)

LCD display with 24 VDC supply voltage



Dimensions



Technical Data

General specifications	
Data storage	EEPROM
Indicators/operating means	
Type	7-digit 7-segment LC display
Display value	digit height 8 mm
Display interval	0 ... 9999999
Scale factor	1 ... 4095 (Factory setting)
Reset	manually or external
Electrical specifications	
Operating voltage	U_B 10 ... 30 V DC
Operating current	I_B max. 25 mA
Inputs	
Voltage	low: 0 ... 2 V DC high: 3.5 ... 30 V DC Switching threshold approx. 2.7 V
Impedance	10 k Ω
Switch-on delay	500 ms

Release date: 2020-03-23 Date of issue: 2020-03-26 Filename: 215122_eng.pdf

Refer to "General Notes Relating to Pepperl+Fuchs Product Information".

Pepperl+Fuchs Group
www.pepperl-fuchs.com

USA: +1 330 486 0001
fa-info@us.pepperl-fuchs.com

Germany: +49 621 776 1111
fa-info@de.pepperl-fuchs.com

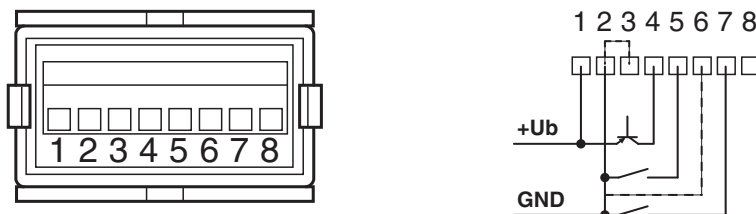
Singapore: +65 6779 9091
fa-info@sg.pepperl-fuchs.com

PEPPERL+FUCHS

Technical Data

Input 1	
Input type	Counter input PNP: fast input, PNP-switching
Input frequency	max. 8 kHz
Input 2	
Input type	Counter input NPN: slow input, NPN-switching
Input frequency	max. 48 Hz
Input 3	
Input type	Activation input reset button: static NPN input
Input 4	
Input type	Reset input: flank-triggered NPN input (min. 20 ms)
Compliance with standards and directives	
Directive conformity	
EMC Directive 2004/108/EC	EN 61000-6-2:2005
Standard conformity	
Emitted interference	DIN EN 55011:2009, Class B
Mech. capacity	EN 60068-2-6:2008 10 ... 55 Hz / 1 mm / XYZ 30 min in each direction
Shock and impact resistance	device in operation: 100 G / XYZ; EN 60068-2-27:1995 device in operation: 10 G / XYZ; EN 60068-2-29:1995
Ambient conditions	
Ambient temperature	-20 ... 65 °C (-4 ... 149 °F)
Storage temperature	-25 ... 75 °C (-13 ... 167 °F)
Mechanical specifications	
Degree of protection	IP65 (front) IP20 (Connection side)
Mass	approx. 40 g
Dimensions	48 mm x 24 mm x 53.5 mm

Connection



Function and terminal assignment

Terminal	Text on device	Function
1	10 - 30 V DC	Supply voltage +Ub
2	GND	0 V DC
3	GND	0 V DC
4	INP PNP	fast counting input
5	INP NPN	slow counting input
6	RESET	Activation input
	ENABLE	Reset
7	RESET	Reset input
8	n.c.	not used