

LCD-timer

KH-LCD-24-24VDC

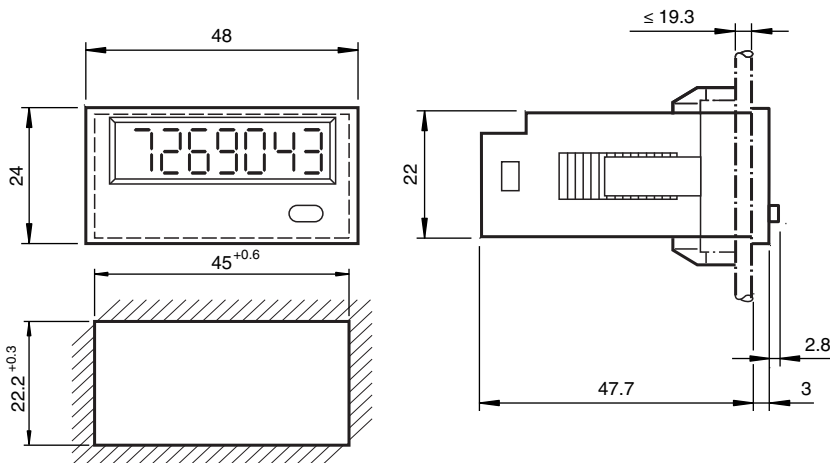


- Timer/hour meter
- Separate start input available
- Easy-to-read 7-digit LCD display
- Lockable reset
- Degree of protection IP65 (front only)

LCD operating hours counter with 24 VDC supply voltage



Dimensions



Technical Data

General specifications			
Data storage	EEPROM		
Indicators/operating means			
Type	7-digit 7-segment LC display Hourglass as operating indicator		
Display value	digit height 8 mm		
Display interval	0.00 ... 99999.99 h		
Reset	manually or external		
Electrical specifications			
Operating voltage	U_B	10 ... 30 V DC	
Operating current	I_B	max. 25 mA	
Inputs			
Voltage	low: 0 ... 2 V DC high: 3.5 ... 30 V DC Switching threshold approx. 2.7 V		
Impedance	10 k Ω		
Switch-on delay	500 ms		

Release date: 2020-03-23 Date of issue: 2020-03-26 Filename: 215123_eng.pdf

Refer to "General Notes Relating to Pepperl+Fuchs Product Information".

Pepperl+Fuchs Group
www.pepperl-fuchs.com

USA: +1 330 486 0001
fa-info@us.pepperl-fuchs.com

Germany: +49 621 776 1111
fa-info@de.pepperl-fuchs.com

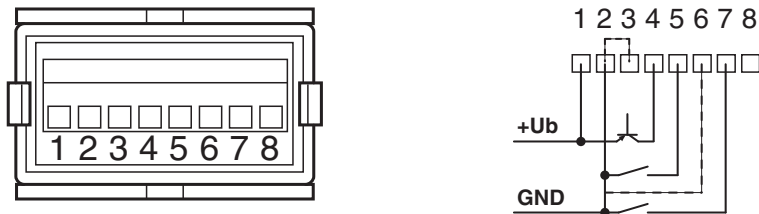
Singapore: +65 6779 9091
fa-info@sg.pepperl-fuchs.com

PEPPERL+FUCHS

Technical Data

Measuring time	min. 200 ms
Input 1	
Input type	Counter input PNP: static PNP input
Input 2	
Input type	Counter input NPN: static NPN input
Input 3	
Input type	Activation input reset button: static NPN input
Input 4	
Input type	Reset input: flank-triggered NPN input (min. 20 ms)
Compliance with standards and directives	
Directive conformity	
EMC Directive 2004/108/EC	EN 61000-6-2:2005
Standard conformity	
Emitted interference	DIN EN 55011:2009, Class B
Mech. capacity	EN 60068-2-6:2008 10 ... 55 Hz / 1 mm / XYZ 30 min in each direction
Shock and impact resistance	device in operation: 100 G / XYZ; EN 60068-2-27:1995 device in operation: 10 G / XYZ; EN 60068-2-29:1995
Ambient conditions	
Ambient temperature	-20 ... 65 °C (-4 ... 149 °F)
Storage temperature	-25 ... 75 °C (-13 ... 167 °F)
Mechanical specifications	
Degree of protection	IP65 (front) IP20 (Connection side)
Mass	approx. 40 g
Dimensions	48 mm x 24 mm x 53.5 mm

Connection



Function and terminal assignment

Terminal	Text on device	Function
1	10 - 30 V DC	Supply voltage +Ub
2	GND	0 V DC
3	GND	0 V DC
4	INP PNP	static counting input $\geq 3,5$ V
5	INP NPN	static counting input ≤ 2 V
6	RESET MANUEL ENABLE	Reset key enable input
7	RESET	Reset input
8	n.c.	not used

Release date: 2020-03-23 Date of issue: 2020-03-26 Filename: 215123_eng.pdf