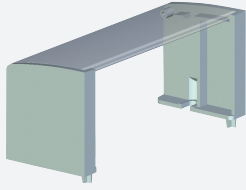


Label Carrier

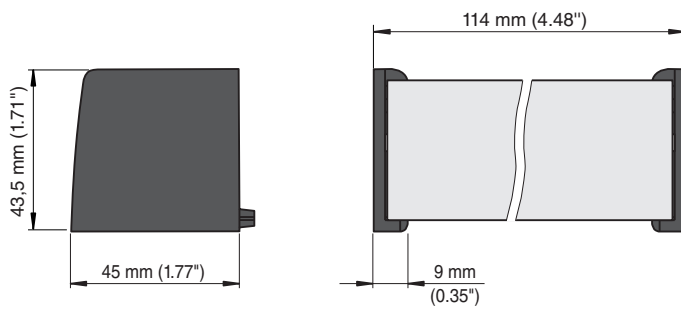
HiALC-HiCTF-SET-114



- For HiC Termination Boards
- 1 piece for 8-position Termination Board
- 2 pieces for 16-position Termination Board

Label carrier for HiC termination boards

Dimensions



Technical Data

Ambient conditions	
Ambient temperature	-20 ... 60 °C (-4 ... 140 °F)
Storage temperature	-40 ... 70 °C (-40 ... 158 °F)
Mechanical specifications	
Mass	approx. 50 g
Dimensions	43.5 x 45 x 114 mm (1.71 x 1.77 x 4.48 inch)
Note	recommended size of labeling strip: 108 x 28 mm (4.25 x 1.1 inch)

Release date: 2021-01-27 Date of issue: 2021-01-27 Filename: 215141_eng.pdf

Refer to "General Notes Relating to Pepperl+Fuchs Product Information".

Pepperl+Fuchs Group
www.pepperl-fuchs.com

USA: +1 330 486 0002
pa-info@us.pepperl-fuchs.com

Germany: +49 621 776 2222
pa-info@de.pepperl-fuchs.com

Singapore: +65 6779 9091
pa-info@sg.pepperl-fuchs.com

PF PEPPERL+FUCHS