



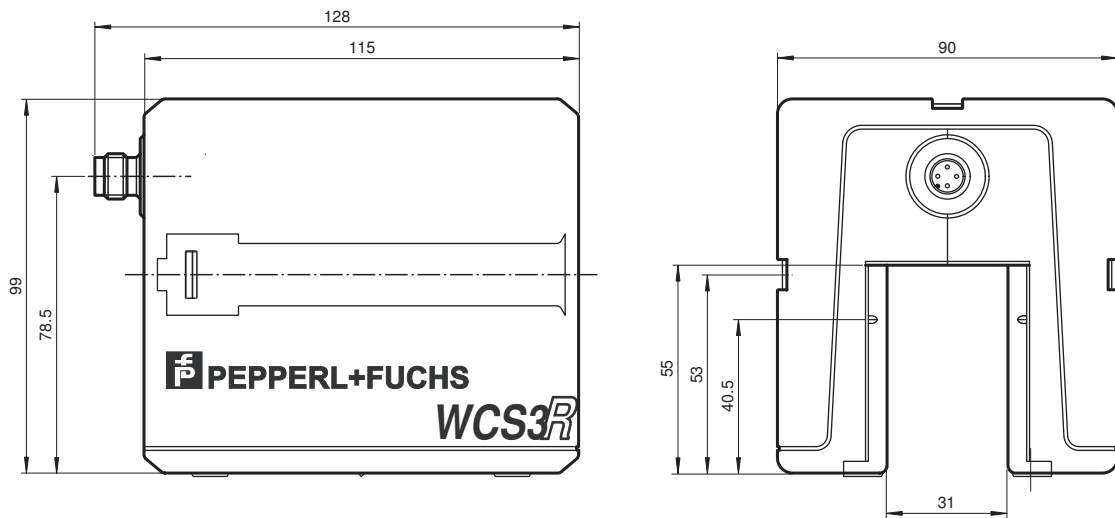
## Read head WCS3R-LS24A

- Non-contact, absolute position encoder
- Automatic detection of dirt accumulation
- Output of position and speed
- Optimized for all control and elevator systems
- Slip-free system
- No reference run required
- Quick mounting
- RS 422 interface
- High resolution

Read head, RS-485 interface, with RS-485 termination resistor



### Dimensions



Release date: 2022-03-10 Date of issue: 2022-03-10 Filename: 215145\_eng.pdf

Refer to "General Notes Relating to Pepperl+Fuchs Product Information".

Pepperl+Fuchs Group  
www.pepperl-fuchs.com

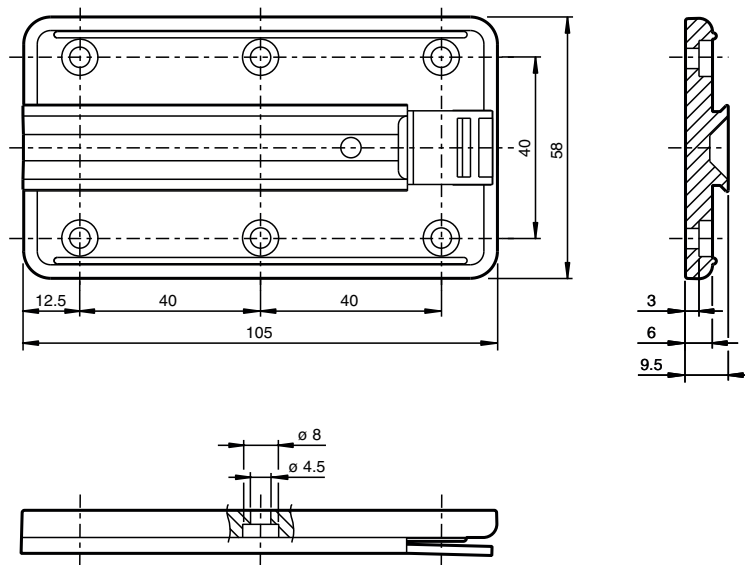
USA: +1 330 486 0001  
fa-info@us.pepperl-fuchs.com

Germany: +49 621 776 1111  
fa-info@de.pepperl-fuchs.com

Singapore: +65 6779 9091  
fa-info@sg.pepperl-fuchs.com

**pf** PEPPERL+FUCHS

## Dimensions



## Technical Data

### General specifications

Passage speed	v	≤ 2.2 m/s
Measuring range		max. 100 m
Free tolerances to code rail		horizontal: 31 mm (± 15.5 mm) vertical: 28 mm (± 14 mm)
Resolution		± 1 mm

### Functional safety related parameters

MTTF <sub>d</sub>		50 a
Mission Time (T <sub>M</sub> )		10 a
Diagnostic Coverage (DC)		0 %

### Indicators/operating means

Operation indicator		LED green: power on
Data flow indicator		LED yellow: data communication active
Error indicator		LED red flashing: read head outside of code rail solid on: internal diagnostic test failed

### Electrical specifications

Operating voltage	U <sub>B</sub>	10 ... 30 V DC
Power consumption	P <sub>0</sub>	2 VA

### Interface

Interface type		RS 422
Data output code		binary code
Protocol		see protocol description
Transfer rate		Baud rate 19.2 kBit/s

### Standard conformity

Emitted interference		DIN EN 61000-6-4 , DIN EN 12015
Noise immunity		DIN EN 61000-6-2 , DIN EN 12016
Shock resistance		DIN EN 60068-2-27, half sine 30 g, 18 ms
Vibration resistance		DIN EN 60068-2-6, sine, 5 g, 10 - 2000 Hz, 10 cycles

### Approvals and certificates

Release date: 2022-03-10 Date of issue: 2022-03-10 Filename: 215145\_eng.pdf

Refer to "General Notes Relating to Pepperl+Fuchs Product Information".

Pepperl+Fuchs Group  
www.pepperl-fuchs.com

USA: +1 330 486 0001  
fa-info@us.pepperl-fuchs.com

Germany: +49 621 776 1111  
fa-info@de.pepperl-fuchs.com

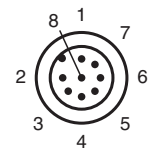
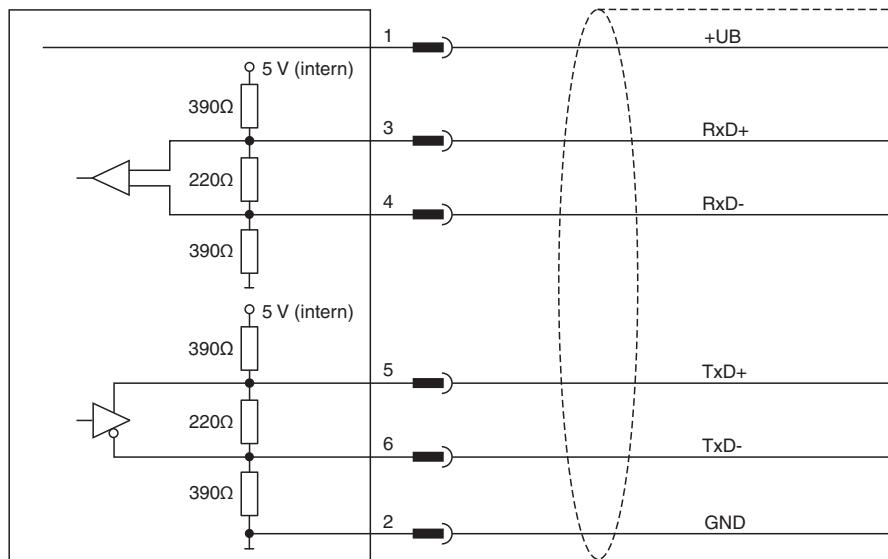
Singapore: +65 6779 9091  
fa-info@sg.pepperl-fuchs.com

 PEPPERL+FUCHS



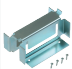

## Technical Data

CSA approval	cCSAus Certified, General Purpose Class 2 power source
CCC approval	CCC approval / marking not required for products rated ≤36 V
<b>Ambient conditions</b>	
Operating temperature	0 ... 60 °C (32 ... 140 °F)
Storage temperature	-40 ... 85 °C (-40 ... 185 °F)
Relative humidity	90 % , noncondensing
<b>Mechanical specifications</b>	
Connection type	8-pin, M12 x 1 connector
Degree of protection	IP54
Material	
Housing	ABS , PC (Polycarbonate)
Mass	500 g
<b>General information</b>	
Ordering information	Mounting plate included with delivery

## Connection




## Accessories

	<b>WCS-MB-R1</b>	Mounting bracket
	<b>WCS-MB-R2</b>	Guide bracket
	<b>WCS-HP-R</b>	Read head protection
	<b>WCS-MT-R</b>	Retainer

Release date: 2022-03-10 Date of issue: 2022-03-10 Filename: 215145\_eng.pdf

**Accessories**

	<b>WCS-MP1</b>	Mounting plate for reading heads WCS2 and WCS3
---	----------------	--

Release date: 2022-03-10 Date of issue: 2022-03-10 Filename: 215145\_eng.pdf

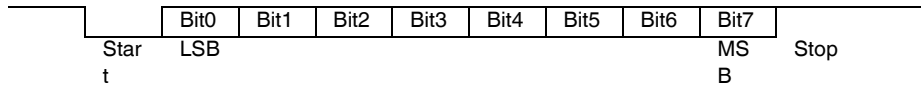
Refer to "General Notes Relating to Pepperl+Fuchs Product Information".

Pepperl+Fuchs Group  
www.pepperl-fuchs.comUSA: +1 330 486 0001  
fa-info@us.pepperl-fuchs.comGermany: +49 621 776 1111  
fa-info@de.pepperl-fuchs.comSingapore: +65 6779 9091  
fa-info@sg.pepperl-fuchs.com **PEPPERL+FUCHS**

**Interface**

**Interface description**

**Byte format**



**Data protocol**

**Request bytes**

Byte	0	0	0	0	0	0	1	0
	Bit7							Bit0

Cycle time: 10 ms

**Answer telegram of the read head**

Bit	7	6	5	4	3	2	1	0
Byte1	XP07	XP06	XP05	XP04	XP03	XP02	XP01	XP00
Byte2	XP15	XP14	XP13	XP12	XP11	XP10	XP09	XP08
Byte3	XP23	XP22	XP21	XP20	XP19	XP18	XP17	XP16
Byte4	Out	OutAll	DB	Status	0	Err02	Err01	Err00

Output in increments of 0.25 mm

Out = 1: Read head partly outside of the code rail

OutAll = 1: Read head completely outside of the code rail

DB = 1: Soiled read head optics

Status: 0 = error; 1 = no error

Error: Error number in Err02 ... Err00

Release date: 2022-03-10 Date of issue: 2022-03-10 Filename: 215145\_eng.pdf