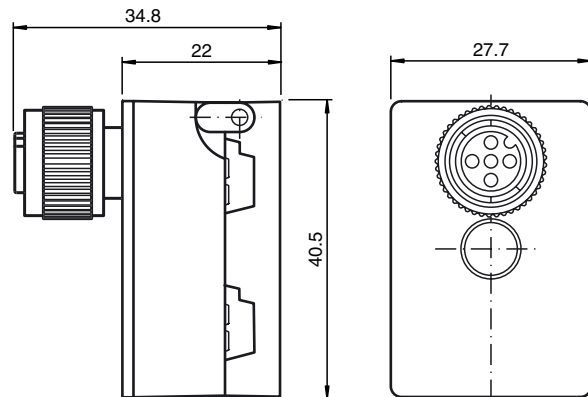
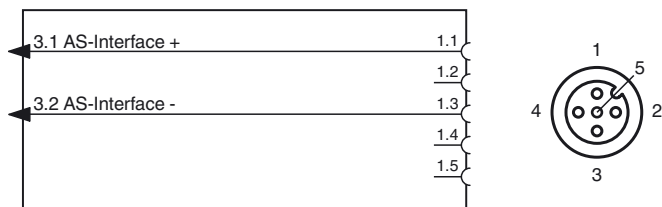



ECOLAB
Model number
VAZ-T1-FK-G10-V1

Splitter box G10, AS-Interface to M12

Features

- One piece housing
- Simple and fast mounting
- Gold-plated and machined contacts
- Immunity to vibration
- Degree of protection IP68 / IP69K

Dimensions

Electrical connection

Technical data
General specifications

Construction type	Socket, straight Flat cable terminal AS-Interface
UL File Number	E223772 "For use in NFPA 79 Applications only"

Electrical specifications

Rated operating voltage	U_e	≤ 32 V PELV (AS-Interface)
Rated operating current	I_e	≤ 4 A AS-Interface
Protection class		III
Surge protection		overvoltage category III

Ambient conditions

Ambient temperature	-25 ... 75 °C (-13 ... 167 °F)
Storage temperature	-25 ... 85 °C (-13 ... 185 °F)
Pollution degree	3

Mechanical specifications

Degree of protection	IP67 IP67 / IP68 / IP69K with flat cable VAZ-FK-S*
Connection	Flat cable AS-Interface: cable piercing method Plug connection: M12 x 1 socket (V1)
Material	
Contacts	CuSn / Au
Housing	PBT PC
Mounting screw	Stainless steel 1.4305 / AISI 303
Mass	45 g
Tightening torque, fastening screws	1.65 Nm
Note	The unused flat cable connector is closed with a seal.

Compliance with standards and directives

Standard conformity	
Degree of protection	EN 60529:2000

Approvals and certificates

UL approval	cULus Listed, Type 1 enclosure
Maximum permissible ambient temperature	≤ 55 °C (≤ 131 °F)

Notes**Mounting instructions**

You may screw the device onto a level mounting surface using two M4 attachment screws. The attachment screws are not included.

