

AS-Interface splitter box

VAZ-T1-FK-G10-1M-PUR-V1-G

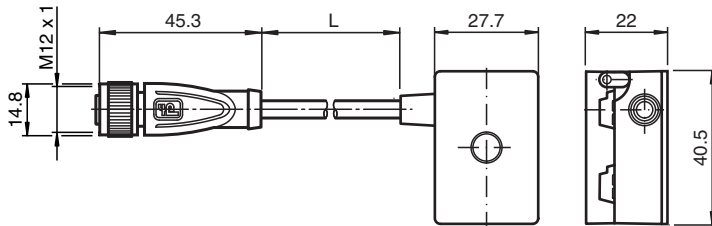


- One piece housing
- Simple and fast mounting
- Gold-plated and machined contacts
- Oil and abrasion resistant PUR line appropriate for drag chains
- Immunity to vibration
- Degree of protection IP68 / IP69K
- Halogen-free

Splitter box G10, AS-Interface to 1x M12 round connector



Dimensions



Technical Data

| General specifications | | |
|--|--|------------------|
| Construction type | Socket, straight Flat cable terminal AS-Interface | |
| Electrical specifications | | |
| Rated operating voltage | U_e | ≤ 60 V PELV |
| Rated operating current | I_e | ≤ 3 A |
| Protection class | III | |
| Current loading capacity | max. 4 A | |
| Surge protection | overvoltage category III | |
| Compliance with standards and directives | | |
| Standard conformity | EN 60529:2000 | |
| Degree of protection | EN 60529:2000 | |
| Approvals and certificates | | |
| UL approval | cULus Listed, Type 1 enclosure | |
| Application | for use in NFPA 79 applications | |
| Maximum permissible operating voltage | max. 32 V | |
| Maximum permissible ambient temperature | max. 55 °C (max. 131 °F) | |

Release date: 2024-12-12 Date of issue: 2024-12-12 Filename: 216030_eng.pdf

Refer to "General Notes Relating to Pepperl+Fuchs Product Information".

Pepperl+Fuchs Group
www.pepperl-fuchs.com

USA: +1 330 486 0001
fa-info@us.pepperl-fuchs.com

Germany: +49 621 776 1111
fa-info@de.pepperl-fuchs.com

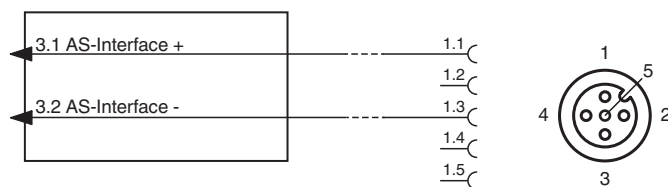
Singapore: +65 6779 9091
fa-info@sg.pepperl-fuchs.com

PEPPERL+FUCHS

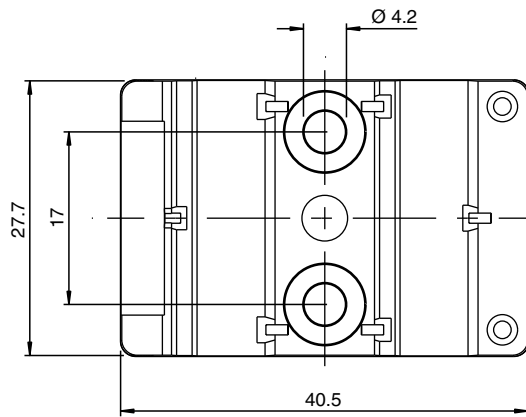
Technical Data

| | | |
|-------------------------------------|---|--|
| UL File Number | | E223772 |
| Ambient conditions | | |
| Ambient temperature | | -25 ... 75 °C (-13 ... 167 °F) |
| Storage temperature | | -25 ... 85 °C (-13 ... 185 °F) |
| Pollution degree | | 3 |
| Mechanical specifications | | |
| Degree of protection | | IP67 IP67 / IP68 / IP69K with flat cable VAZ-FK-S-* |
| Connection | | Flat cable AS-Interface: cable piercing method Plug connection: M12 x 1 socket (V1) |
| Material | | |
| Contacts | | CuSn / Au |
| Housing | | PBT PC |
| Body | | PUR, black |
| Cable | | PUR |
| Mounting screw | | Stainless steel 1.4305 / AISI 303 |
| Cable | | |
| Sheath diameter | | Ø4,3 mm |
| Color | | black |
| Cores | | 2 x 0.34 mm ² |
| Length | L | 1 m |
| Mass | | 75 g |
| Tightening torque, fastening screws | | 1.65 Nm |
| Dimensions | | |
| Height | | 22 mm |
| Width | | 27.7 mm |
| Length | | 40.5 mm |
| Note | | The unused flat cable connector is closed with a seal. |

Connection



Mounting



You may screw the device onto a level mounting surface using two M4 attachment screws. The attachment screws are not included.