



Model number

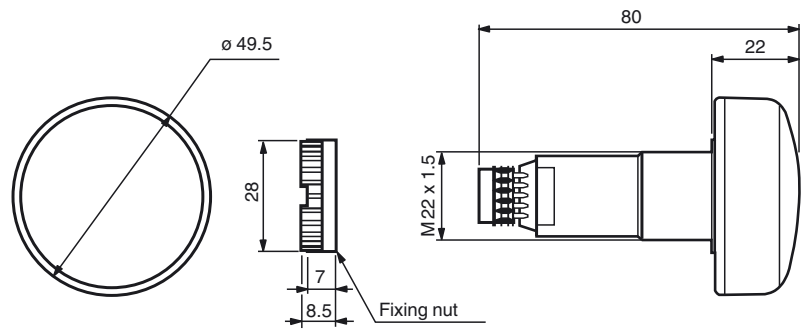
VAZ-BUZZER/LT-RD

buzzer element with acknowledgment

Features

- Good all-round visibility
- Shrill, continuous tone, with 80 dB
- Long service life due to long-lasting LEDs
- Simple connection via screw terminal
- splash and dust resistant
- Degree of protection: IP 65
- Acknowledge/silence the audible signal by lightly pressing the frontal area

Dimensions



Technical data

General specifications

UL File Number	E223176
Color	red
Frequency	2.8 kHz Continuous signal
Loudness	80 dB

Indicators/operating means

LED red	active
---------	--------

Electrical specifications

Rated operating voltage	U_e	24 V DC
Rated operating current	I_e	≤ 80 mA
Inrush current		< 500 mA

Ambient conditions

Ambient temperature	-20 ... 50 °C (-4 ... 122 °F)
---------------------	-------------------------------

Mechanical specifications

Protection degree	IP65
Connection	plug-in screw terminals Wire cross section: ≤ 1.5 mm ² fine-strand
Material	PC/ABS
Mass	40 g
Life span	50000 h (Acoustic: min. 5000 h)

Compliance with standards and directives

Directive conformity	
EMC Directive 2004/108/EC	EN 60947-5-1:2005 EN 60947-1:2007
Standard conformity	
Protection degree	EN 60529:2000