



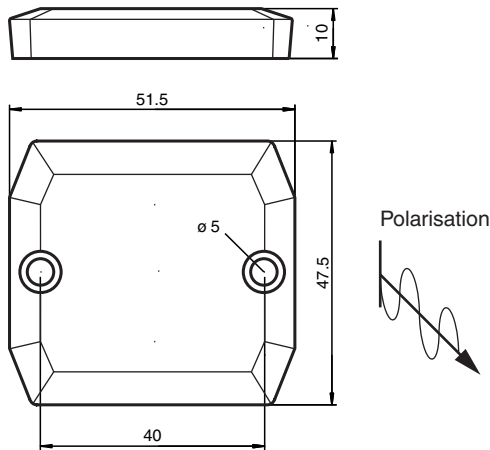
# RFID Transponder

## IUC72-F151-M-FR1

- Operating frequency 865 ... 868 MHz
- Complies with EPC Gen2 (ISO/IEC 18000-63)
- Sturdy housing, suitable for rough industrial use
- Optimized for mounting on metal

Data carrier

### Dimensions



### Technical Data

#### General specifications

Operating frequency	865 ... 868 MHz
Polarization	linear

#### Memory

Chip Type	UCODE G2XM (NXP)
Memory Bank 00 (Reserved)	64 Bit
Memory Bank 01 (EPC/UII)	240 Bit
Memory Bank 10 (TID)	64 Bit
Memory Bank 11 (User memory)	512 Bit
Read cycles	unlimited
Write cycles	> 100000
Data retention period	10 years

#### Directive conformity

Radio equipment	
Directive 2014/53/EU	EN 302208
RoHS	
Directive 2011/65/EU (RoHS)	IEC/EN 63000

Release date: 2021-04-22 Date of issue: 2021-04-22 Filename: 217289\_eng.pdf

Refer to "General Notes Relating to Pepperl+Fuchs Product Information".

## Technical Data

<b>Standard conformity</b>	
Degree of protection	EN 60529
RFID	ISO/IEC 18000-63
<b>Ambient conditions</b>	
Ambient temperature	-40 ... 85 °C (-40 ... 185 °F)
Storage temperature	-55 ... 105 °C (-67 ... 221 °F) -55°C for max. 3h Max. 125°C for 1 h
<b>Mechanical specifications</b>	
Housing length	47.5 mm
Housing width	51.5 mm
Housing height	10 mm
Degree of protection	IP68
Material	
Housing	Impact-resistant plastic material
Installation	preferably mountable on metal
Mass	22 g