

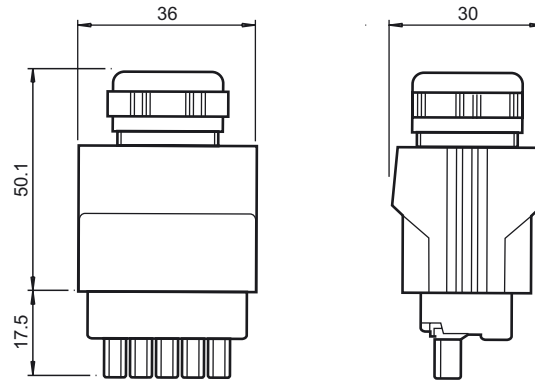


### Model Number

**ICZ-AIDA1-MSTB**

Plug connector MSTB

### Dimensions



### Technical data

#### General specifications

Number of pins	5
----------------	---

#### Electrical specifications

Rated current	$I_n$	16 A
Nominal voltage	$U_n$	24 V

#### Ambient conditions

Ambient temperature	-40 ... 70 °C (-40 ... 158 °F)
Storage temperature	-40 ... 70 °C (-40 ... 158 °F)

#### Mechanical specifications

Degree of protection	IP65
Connection	MSTB
<b>Material</b>	
Contacts	Cu alloy
Contact surface	Au
Housing	Zinc die-casting, nickel-plated
<b>Cable</b>	
Sheath diameter	9 mm ... 13 mm
Core diameter	0.75 mm <sup>2</sup> ... 2.5 mm <sup>2</sup> 18 ... 13 AWG
Mass	92 g