



Model Number

ODT-MAC433-LD-WH-MC

Stationary multicode read device for all common 1D, 2D and Pharmacodes at speeds of 10 m/s, angled line of sight, VGA resolution, Ethernet, VGA output, RS 232 interface

Features

- 30 scans per second
- All common 1D or 2D codes can be read
- Integrated error image memory
- VGA output
- High passage speed
10 m/s

Function

The stationary reader is a reading system for the recognition of data matrix codes. With a powerful signal processor and optimized decoding algorithms, the device delivers extremely high reading speeds.

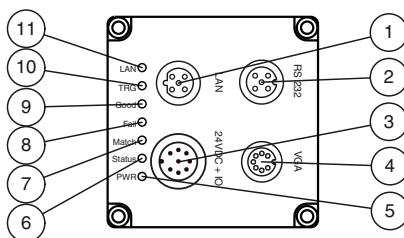
The configuration is easy and comfortable via the standard Ethernet interface using a standard web browser or via serial port.

The device is supported by an VGA video output. In addition, the device has an integrated error image memory.

Typical operative range of stationary readers are:

- Document handling
- Printing machines
- Identification in packaging and warehousing technology
- Detection of PCBs

Indicating / Operating means



| | |
|----|----------------------|
| 1 | Socket LAN |
| 2 | Socket RS 232 |
| 3 | Connector 24VDC + IO |
| 4 | Socket VGA |
| 5 | PWR |
| 6 | Status |
| 7 | Match |
| 8 | Fail |
| 9 | Good |
| 10 | TRG |
| 11 | LAN |

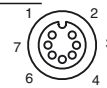
Electrical connection

RS 232



| Pin | Signal |
|-----|--------------|
| 1 | +UB |
| 2 | TX RS232 |
| 3 | GND |
| 4 | RX RS232 |
| 5 | IN 5 / OUT 3 |

VGA



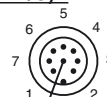
| Pin | Signal |
|-----|-----------|
| 1 | OUT VSYNC |
| 2 | GND |
| 3 | OUT R |
| 4 | OUT G |
| 5 | GND |
| 6 | OUT B |
| 7 | OUT HSYNC |

LAN



| Pin | Signal |
|-----|--------------|
| 1 | TX+ Ethernet |
| 2 | RX+ Ethernet |
| 3 | TX- Ethernet |
| 4 | RX- Ethernet |

(24 V DC + I/O)



| Pin | Signal |
|-----|-----------------|
| 1 | IN TRG / OUT 1 |
| 2 | +UB |
| 3 | OUT Good / IN 1 |
| 4 | OUT Fail / IN 2 |
| 5 | IN 3 |
| 6 | IN 4 / OUT 2 |
| 7 | GND |
| 8 | OUT Match |

Release date: 2012-09-03 09:28 Date of issue: 2013-09-03 220591_eng.xml

Technical data**General specifications**

| | |
|----------------------|---|
| Light type | Integrated LED lightning (white) |
| Symbologies | Maxi Code, PDF 417, Data Matrix, QR Code, MicroPDF 417, GoCode, UCC Composite, Aztec Code, Code 39, Code 128, UPC, EAN, JAN, Int 2 of 5, Codabar, Code 93, UCC RSS, POSTNET, PLANET, Japanese Post, Australia Post, Royal Mail, RM4SCC, KIX Code, Codablock, Pharmacode |
| Read distance | 60 ... 200 mm Depending on code symbology |
| Depth of focus | ± 70 mm |
| Reading field | max. 110 mm x 70 mm |
| Modul size | ≥ 0.2 mm |
| Sensor principle | Camera system |
| Evaluation frequency | max. 30 Hz |
| Target velocity | triggered ≤ 10 m/s |

Nominal ratings

| | |
|------------------|--|
| Camera | |
| Type | CMOS , Global shutter |
| Number of pixels | 752 x 480 pixels |
| Gray scale | 256 |
| Image recording | real-time , Program-controlled or triggered externally |

Indicators/operating means

| | |
|-------------------|--|
| Operating display | LED green: Ready for operation |
| LED indicator | for good/poor reading , Trigger , LAN , Match code |

Electrical specifications

| | | |
|------------------------|-------|----------------------|
| Operating voltage | U_B | 24 V DC ± 15% , PELV |
| No-load supply current | I_0 | max. 250 mA |
| Power consumption | P_0 | 6 W |

Interface

| | |
|---------------|------------|
| Physical | Ethernet |
| Protocol | TCP/IP |
| Transfer rate | 100 MBit/s |
| Cable length | max. 30 m |

Output

| | |
|-------------------|---------------------------|
| Number/Type | 4 electronic outputs, PNP |
| Switching voltage | 24 V ± 15 % |
| Switching current | 100 mA each output |
| Cable length | max. 30 m |

Output 1

| | |
|--------------|-----------------------------------|
| Output type | Video output, RGB (75 Ohm), 1 Vpp |
| Resolution | VGA, 800 x 600 pixels |
| Cable length | 2 m |

Ambient conditions

| | |
|---------------------|-------------------------------|
| Ambient temperature | 0 ... 45 °C (32 ... 113 °F) |
| Storage temperature | -20 ... 60 °C (-4 ... 140 °F) |

Mechanical specifications

| | |
|-------------------|---|
| Protection degree | IP65 |
| Connection | 8-pin, M12x1 connector, standard (supply+IO) M12 x 1 female connector, 5-pin, standard (IO) 4-pin, M12x1 socket, standard (LAN) Video: 7-pin socket |
| Material | |
| Housing | powder coated diecast zinc |
| Mass | approx. 760 g |

Compliance with standards and directives

| | |
|-----------------------------|---------------------------|
| Directive conformity | |
| EMC Directive 2004/108/EC | EN 61326-1 , EN 61000-6-4 |
| Standard conformity | |
| Noise immunity | EN 61326-1 |
| Emitted interference | EN 61000-6-4 |
| Protection degree | EN 60529 |
| Laser class | IEC 60825-1:2007 |

Accessories**V19-G-2M-PUR-ABG**

Female cordset, M12, 8-pin, shielded, PUR cable

V15S-G-5M-PUR-ABG

Male cordset, M12, 5-pin, shielded, PUR cable

V1SD-G-2M-PUR-ABG-V45-G

Connection cable, M12 to RJ-45, PUR cable 4-pin, CAT5e

V1SD-G-2M-PUR-ABG-V45X-G

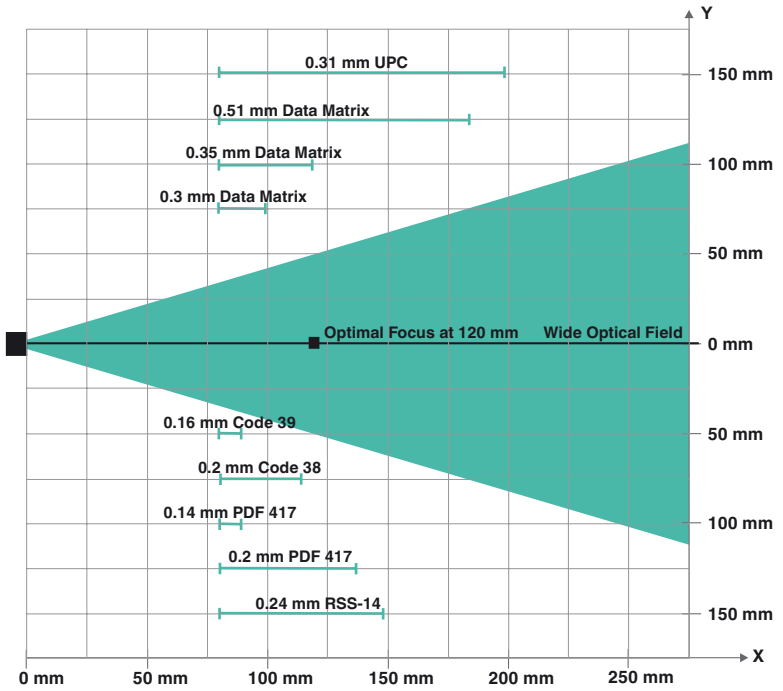
Connection cable, M12 to RJ-45, PUR cable 4-pin, CAT5e

V19-G-2,5M-PUR-ABG-SUBD25

Connection cable, M12 to SUB-D, PUR cable 8-pin

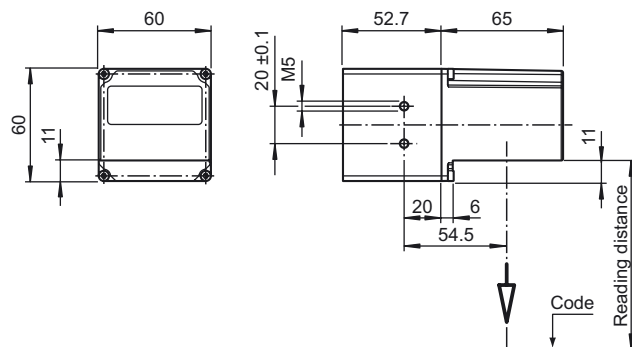
Additional accessories can be found in the Internet.

Read range for various symbologies



Note: Smallest symbology that can be read is 0,14 mm PDF417

Dimensions



Release date: 2012-09-03 09:28 Date of issue: 2013-09-03 220591_eng.xml

Refer to "General Notes Relating to Pepperl+Fuchs Product Information".

Pepperl+Fuchs Group
www.pepperl-fuchs.com

USA: +1 330 486 0001
fa-info@us.pepperl-fuchs.com

Germany: +49 621 776 4411
fa-info@de.pepperl-fuchs.com

Singapore: +65 6779 9091
fa-info@sg.pepperl-fuchs.com