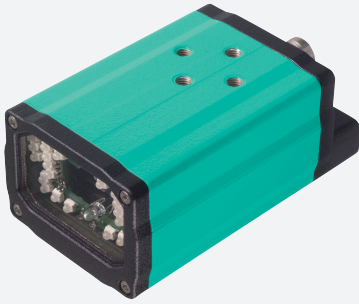


# Stationary read device

## MAC335-1300-RD-F119



- Programmable with JavaScript
- Large imaging area
- All common 1-D or 2-D codes can be read
- 3 readings per seconds
- Omni-directional reading

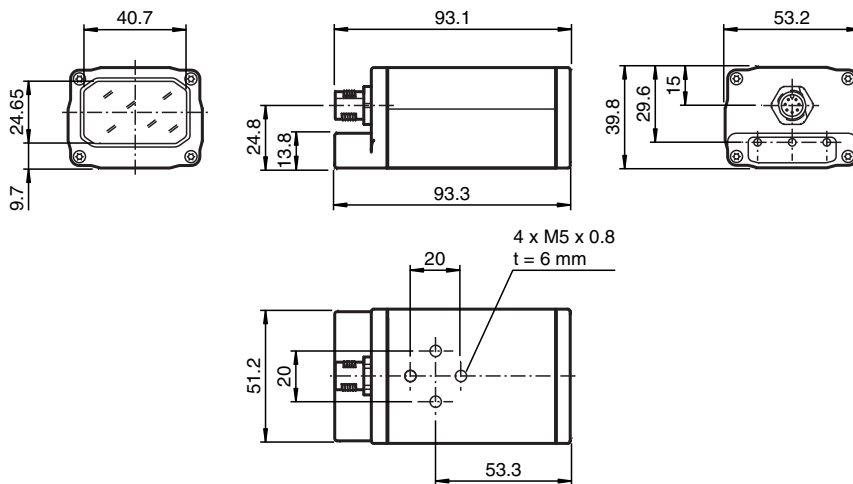
Stationary read device for standstill reads of all common 1-D, 2-D and Pharmacodes with variable read distance



### Function

The MAC335 is a stationary reader for all common 1D and 2D codes. The megapixel CMOS image converter, in connection with the specially developed optics, makes an extremely large range and a large reading window possible. Thanks to automatic dynamic optimization, the reader detects the most varied of codes and enables efficient operation for you. You can program the MAC335 with the aid of a convenient program or configuration code. There is the option to develop customer-specific solutions with a JavaScript editor.

### Dimensions



### Technical Data

#### General specifications

Light type	Integrated LED lightning (red)
------------	--------------------------------

Release date: 2020-05-08 Date of issue: 2020-05-08 Filename: 221960\_eng.pdf

Refer to "General Notes Relating to Pepperl+Fuchs Product Information".

Pepperl+Fuchs Group  
www.pepperl-fuchs.com

USA: +1 330 486 0001  
fa-info@us.pepperl-fuchs.com

Germany: +49 621 776 1111  
fa-info@de.pepperl-fuchs.com

Singapore: +65 6779 9091  
fa-info@sg.pepperl-fuchs.com

PEPPERL+FUCHS

## Technical Data

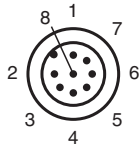
Symbologies		Maxi Code, PDF 417, Data Matrix, QR Code, MicroPDF 417, GoCode, UCC Composite, Aztec Code, Code 39, Code 128, UPC, EAN, JAN, Int 2 of 5, Codabar, Code 93, UCC RSS, POSTNET, PLANET, Japanese Post, Australia Post, Royal Mail, RM4SCC, KIX Code, Codablock, Pharma code
Laser class		1
Read distance		500 ... 1000 mm Depending on code symbology
Reading field		max. 300 mm x 250 mm
Modul size		min. 0.15 mm
Target velocity		Stop
Data Matrix		
Symbol size		rectangular up to 144 x 144 modules rectangular up to 16 x 48 modules
<b>Nominal ratings</b>		
Camera		
Type		CMOS
Number of pixels		1280 x 1024 pixels per focus point
Gray scale		256
Image recording		real-time, program controlled or external triggered
<b>Electrical specifications</b>		
Operating voltage	$U_B$	24 V DC $\pm$ 15%, PELV
Operating current	$I_B$	max. 200 mA
<b>Interface</b>		
Physical		RS 232
Protocol		ASCII
Transfer rate		9600 ... 115200 Bit/s
Cable length		max. 30 m
<b>Input</b>		
Input voltage		24 V DC $\pm$ 15% PELV
Number/Type		1 trigger input
Input current		approx. 10 mA at 24 V DC
Cable length		max. 30 m
<b>Output</b>		
Number/Type		1 electronic output, PNP, optically decoupled
Switching voltage		to be applied externally 24 V $\pm$ 15% PELV
Switching current		100 mA
Cable length		max. 30 m
<b>Compliance with standards and directives</b>		
Directive conformity		
EMC Directive 89/336/EEC		EN 61326, EN 61000-6-4
Standard conformity		
Noise immunity		EN 61326:2002-03
Emitted interference		EN 61000-6-4:2001
Degree of protection		EN 60529
Laser class		IEC 60825-1:2007
<b>Ambient conditions</b>		
Ambient temperature		0 ... 50 °C (32 ... 122 °F)
Storage temperature		-20 ... 60 °C (-4 ... 140 °F)
<b>Mechanical specifications</b>		
Degree of protection		IP65
Connection		8-pin, M12 x 1 connector
Material		
Housing		lacquer-coated aluminum
Mass		approx. 200 g

Release date: 2020-05-08 Date of issue: 2020-05-08 Filename: 221960\_eng.pdf

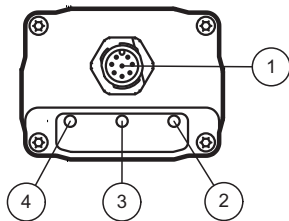
## Connection

Pin	Signal	Function
1	Trigger	Trigger input
2	+UB	Device power supply
3	RX	RS 232_RX
4	24 V I/O	External power supply
5	GND I/O	External ground
6	GOOD	GOOD output
7	GND	Device ground
8	TX	RS 232_TX

## Connection Assignment



## Assembly



1	Connector M12 x 1	
2	LED GOOD	green
3	LED TRIG	yellow
4	LED PWR	green

## Accessories

	<b>Vision Configurator</b>	Operating software for camera-based sensors
	<b>V19-G-5M-PUR-ABG</b>	Female cordset, M12, 8-pin, shielded, PUR cable
	<b>V19-G-5M-PUR-ABG-SUBD15</b>	Connection cable, M12 to SUB-D, PUR cable 8-pin

Release date: 2020-05-08 Date of issue: 2020-05-08 Filename: 221960\_eng.pdf