

### Model Number

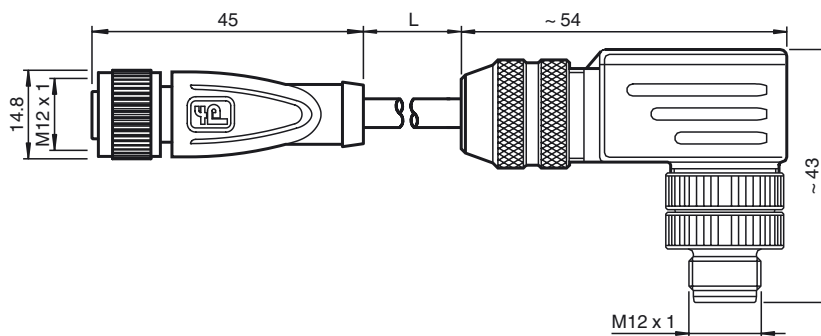
#### V1-G-2,5M-PUR-ABG-V15B-W

Adapter M12 x 1 A-coded to M12 x 1 B-coded, PUR cable 4-pin, shielded

### Features

- Knurled nut suitable for tool assembly
- Immunity to vibration, with mechanical latching
- Shield attached to coupling nut
- Gold-plated and machined contacts
- Halogen-free

### Dimensions



### Technical data

#### General specifications

Number of pins 4 + shield

#### Electrical specifications

Operating voltage  $U_B$  max. 300 V DC  
 Test voltage > 1500 V<sub>eff</sub> AC  
 Operating current  $I_B$  max. 4 A  
 Volume resistance < 5 m $\Omega$

#### Ambient conditions

Ambient temperature cable, flexing: -25 ... 80 °C (-13 ... 176 °F)  
 cable, fixed: -40 ... 80 °C (-40 ... 176 °F)

Pollution degree 3

#### Mechanical specifications

Contact elements spring-loaded contact socket

Pin diameter 1 mm

Degree of protection IP67

#### Material

Contacts CuSn / Au

Contact surface Au

Body TPU, green

Cable PUR

Slotted nut Diecast zinc

Sleeve connector Diecast zinc

Core insulation PP

Cable fine-strand, flexible

Sheath diameter  $\varnothing$ 4.8 mm

Bending radius > 10 x cable diameter, moving  
 > 5 x cable diameter, fixed

Color grey

Cores 4 x 0.34 mm<sup>2</sup>

Conductor construction 19 x 0.15 mm  $\varnothing$

Shield grid covering 85 %

Length L 2.5 m

#### Flammability

Contact carrier 94 HB

Housing 94 V-2

### Electrical connection

