



### Model Number

**IPH-18GM-V1-Y227870**

Read/write head  
for IDENTControl

### Features

- Read/write head with thread M18 x 1
- Connection via V1 (M12 x 1) plug connection
- Multihole-LED for function display
- Protection degree IP67

### Accessories

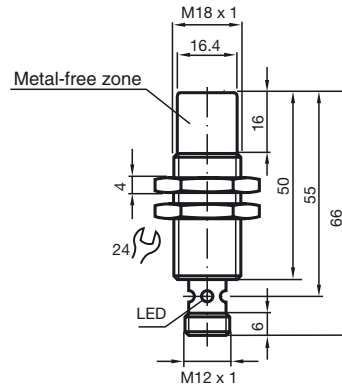
**V1-G-5M-PUR-ABG-V1-W**

Connection cable

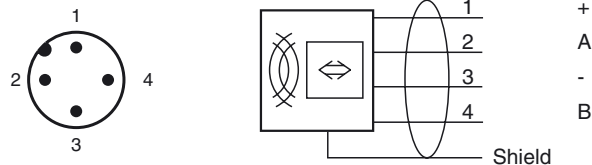
**V1-G-10M-PUR-ABG-V1-W**

Connection cable

## Dimensions



## Electrical connection



## Technical data

### General specifications

Operating frequency	125 kHz
Transfer rate	2 kBit/s
Sensing range	
Read distance	1 ... 50 mm
Write distance	0 ... 40 mm
Width	max. 40 mm
Operating distance	maximum: 50 mm
UL File Number	E87056

### Indicators/operating means

LED green/yellow	Multihole-LED: green: power on green flashing: read/write attempt performed yellow: data carrier detected
------------------	--

### Electrical specifications

Power consumption	$P_0$	≤ 1.2 W
Supply		from the IDENTControl

### Ambient conditions

Ambient temperature	-25 ... 100 °C (-13 ... 212 °F)
Storage temperature	-40 ... 100 °C (-40 ... 212 °F)

### Mechanical specifications

Protection degree	IP67
Connection	M12 x 1 connector
Material	
Housing	PBT/stainless steel
Encapsulation compound	Fermadur
Installation	not embeddable
Distance between two heads	Multiplex on: ≥ 30 mm Multiplex off: ≥ 180 mm
Mass	approx. 40 g

### Compliance with standards and directives

Directive conformity	
R&TTE Directive 1995/5/EC	EN 301489-1 V1.8.1 (2008-04), EN 301489-3 V1.4.1 (2002-08), EN 300330-2 V1.3.1 (2006-04), EN 60950-1:2006
Standard conformity	
Electromagnetic compatibility	EN 61326
Protection degree	EN 60529