

Female connector, field-attachable

V15-W-ABG-PG9

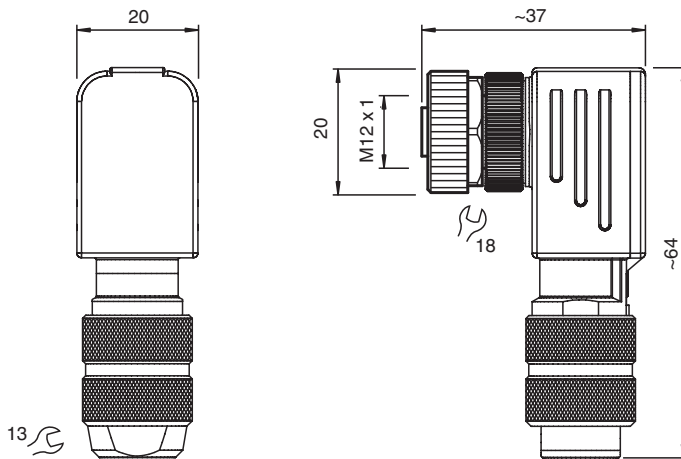


- Field-attachable, shieldable
- Metal housing
- Iris spring shielding
- cURus approval

Female connector M12 angled A-coded 5-pin, for cable diameter 5 - 8 mm, shielded, field-attachable



Dimensions



Technical Data

General specifications

| | | |
|-------------------|--|-----------------------------------|
| Connector 1 | | |
| Connection | | socket |
| Construction type | | M12 |
| Style | | angled |
| Locking | | screw connection |
| Number of pins | | 5 |
| Coding | | A-coded |
| Customization | | Coding rotateable in steps of 90° |
| UL File Number | | E363587 |

Electrical specifications

| | | |
|-----------------------|-------|------------------------|
| Operating voltage | U_B | max. 48 V AC / 60 V DC |
| Operating current | I_B | 4 A |
| Insulation resistance | | min. 100 MΩ |

Conformity

| | | |
|----------------------|-------------------------------------|--|
| Degree of protection | EN 60529 | |
| Plug connection | connector M12 x 1 : IEC 61076-2-101 | |

Release date: 2023-08-18 Date of issue: 2023-08-18 Filename: 227910_eng.pdf

Refer to "General Notes Relating to Pepperl+Fuchs Product Information".

Pepperl+Fuchs Group
www.pepperl-fuchs.com

USA: +1 330 486 0001
fa-info@us.pepperl-fuchs.com

Germany: +49 621 776 1111
fa-info@de.pepperl-fuchs.com

Singapore: +65 6779 9091
fa-info@sg.pepperl-fuchs.com

PF PEPPERL+FUCHS

Technical Data

| Ambient conditions | |
|---------------------------|--|
| Ambient temperature | -40 ... 85 °C (-40 ... 185 °F) |
| Pollution degree | 3 |
| Mechanical specifications | |
| Plug connector | |
| Tightening torque | 0.6 Nm |
| Tool installation | straight knurling , hexagon nut SW = 18 mm |
| Mating cycles | min. 100 |
| Shielding | iris spring shielding |
| Degree of protection | IP67 |
| Connection | screw terminals for max. 0.75 mm ² / AWG 18 |
| Cable | |
| Sheath diameter | 5 ... 8 mm |
| Mass | 69.75 g |
| Material | |
| Plug connector | |
| Screw connection | Zinc diecast, nickel-plated |
| Body | Zinc diecast, nickel-plated |
| Seal | NBR , FKM |
| Contact surface | Au |

Connection Assignment

