

# Antenna

## W-ANT-2400-2-ROD

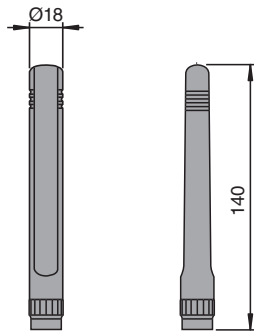
- Replacement antenna for WirelessHART Gateway

Rod antenna for 2.4 GHz band

### Function

The rod antenna for 2.4 GHz band delivers an antenna gain of 2.0 dBi. It connects to the WirelessHART gateway WHA-GW\* via a TNC connector.

### Dimensions



### Technical Data

#### General specifications

Frequency range	2.4 ... 2.285 GHz
Antenna gain	2.0 dBi
Polarization	vertical
Impedance	50 Ω

#### Mechanical specifications

Connection type	TNC connector
Material	plastic
Dimensions	Ø18 x 140 mm (0.7 x 5.5 inch)

### Accessories



<b>W-ACC-CA-NM-NM-*</b>	Coaxial cable, N plug to N plug
<b>W-ACC-ADP-NF-TNCF</b>	Adapter N socket to TNC socket

Release date: 2020-04-30 Date of issue: 2020-04-30 Filename: 228809\_eng.pdf

Refer to "General Notes Relating to Pepperl+Fuchs Product Information".

Pepperl+Fuchs Group  
www.pepperl-fuchs.com

USA: +1 330 486 0002  
pa-info@us.pepperl-fuchs.com

Germany: +49 621 776 2222  
pa-info@de.pepperl-fuchs.com

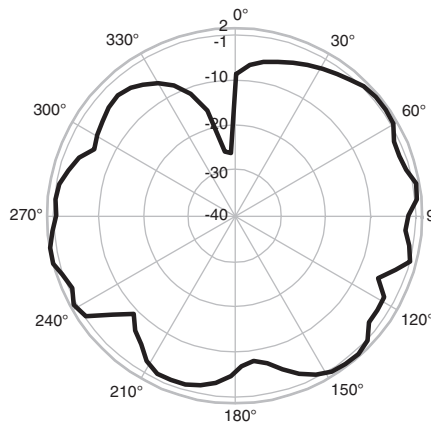
Singapore: +65 6779 9091  
pa-info@sg.pepperl-fuchs.com

**PF** PEPPERL+FUCHS

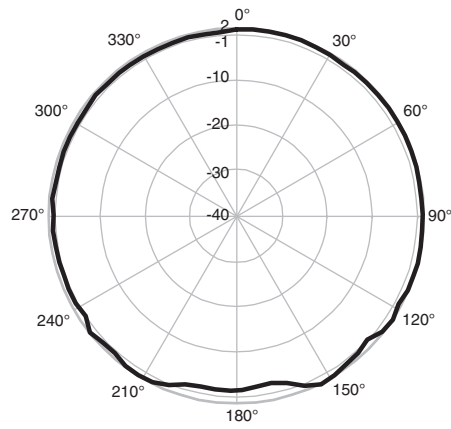
# Characteristic Curve

## Antenna characteristics

vertical 2.5 GHz



horizontal 2.5 GHz



Release date: 2020-04-30 Date of issue: 2020-04-30 Filename: 228809\_eng.pdf

Refer to "General Notes Relating to Pepperl+Fuchs Product Information".