

# Female cordset, field attachable

## V23-GK

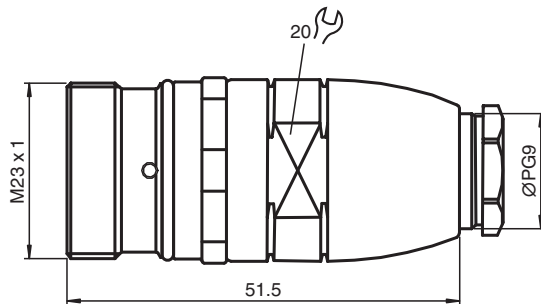
- Gold plated contacts



Female cordset, field attachable



### Dimensions



### Technical Data

#### General specifications

Number of pins	12
Connection 1	socket
Construction type 1	straight
Threading 1	M23

#### Electrical specifications

Operating voltage	$U_B$	max. 48 V AC / 60 V DC
Operating current	$I_B$	8 A
Volume resistance		$\leq 3 \text{ m}\Omega$

#### Ambient conditions

Ambient temperature	-40 ... 125 °C (-40 ... 257 °F)
Pollution degree	2

#### Mechanical specifications

Degree of protection	IP67
Connection	Solder connection for max. 1 mm <sup>2</sup>
Material	
Contacts	CuSn

Release date: 2020-09-10 Date of issue: 2020-09-10 Filename: 228938\_eng.pdf

Refer to "General Notes Relating to Pepperl+Fuchs Product Information".

Pepperl+Fuchs Group  
www.pepperl-fuchs.com

USA: +1 330 486 0001  
fa-info@us.pepperl-fuchs.com

Germany: +49 621 776 1111  
fa-info@de.pepperl-fuchs.com

Singapore: +65 6779 9091  
fa-info@sg.pepperl-fuchs.com

PEPPERL+FUCHS

## Technical Data

Contact surface	Au
Body	CuZn
Cable	
Sheath diameter	6 ... 10 mm

## Connection

