

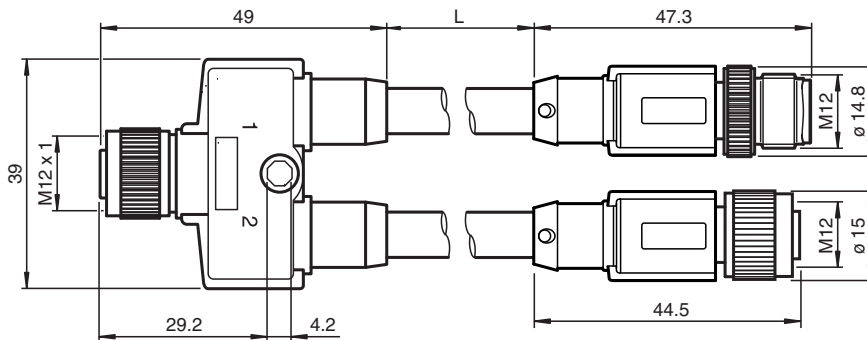
# Y connection cable

## ICZ-3T-0,3M-PVC-CCL-V1-G



- Replacement of devices without bus interruption possible
- Shield attached to coupling nut
- Shield connected to pin 1
- Data transfer up to 10 MBaud

### Y connection cable for CC-Link



## Technical Data

### General specifications

Number of pins	3 + 1 x screen
Transfer rate	max. 10 MBit/s

### Electrical specifications

Rated voltage	$U_r$	60 V
Rated current	$I_r$	4 A
Volume resistance		$\leq 5 \text{ m}\Omega$

### Ambient conditions

Ambient temperature	Body: -25 ... 90 °C (-13 ... 194 °F) cable, fixed: -30 ... 60 °C (-22 ... 140 °F) cable, flexing: -5 ... 60 °C (23 ... 140 °F)
---------------------	--

### Mechanical specifications

Degree of protection	IP65
Connection	M12 connector/socket, 4-pin, A-coded for CC-Link
Material	
Contacts	CuZn
Contact surface	Ni/Au
Body	TPU, black
Cable	PVC

Release date: 2020-03-23 Date of issue: 2020-03-27 Filename: 231824\_eng.pdf

Refer to "General Notes Relating to Pepperl+Fuchs Product Information".

Pepperl+Fuchs Group  
www.pepperl-fuchs.com

USA: +1 330 486 0001  
fa-info@us.pepperl-fuchs.com

Germany: +49 621 776 1111  
fa-info@de.pepperl-fuchs.com

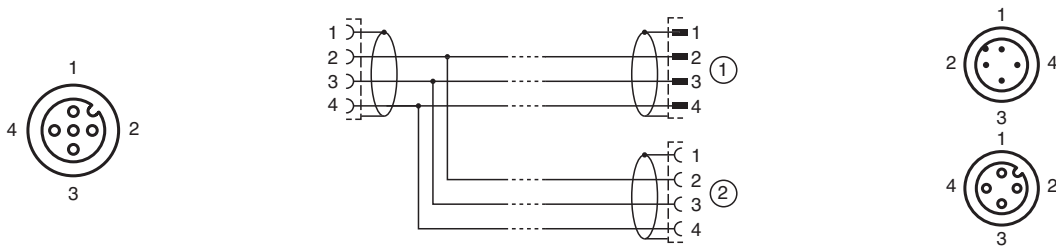
Singapore: +65 6779 9091  
fa-info@sg.pepperl-fuchs.com

PEPPERL+FUCHS


### Technical Data

Slotted nut	Zinc die-casting, nickel-plated	
Core insulation	PE	
Cable		
Sheath diameter	Ø 7.7 mm	
Bending radius	> 10 x cable diameter, fixed	
Color	red	
Cores	3 x 0.5 mm <sup>2</sup>	
Length	L	0.3 m
Mass	approx. 112 g	

### Connection Assignment



### Accessories

	<b>ICZ-TR-V1-110R</b>	Terminal resistor for CC-Link
---	-----------------------	-------------------------------