



Model Number

PMI80-F90-C-IO-V15

Features

- Parameterization and diagnosis via IO-Link
- Measuring range 0 ... 80 mm
- Parameterisable measuring range
- Analog current or voltage output, programmable

Application

Attention!

If the sensor is supplied via an IO-Link-Master, ensure that the sum of the no-load supply current and operating currents of all sensor outputs does not exceed the maximum current the IO-Link-Master can supply.

Accessories

BT-F90-W

Damping element for sensors of type F90, F112, and F166; side hole

MH-F90

Mounting bracket for mounting of F90 sensors

V15-G-2M-PVC

Female cordset, M12, 5-pin, PVC cable

V15-W-2M-PVC

Female cordset, M12, 5-pin, PVC cable

Technical Data

General specifications

Switching element function	Analog current or voltage output, programmable
Object distance	0.5 ... 3 mm, recommended: 1.5 mm
Measurement range	0 ... 80 mm
Linearity range	1 ... 79 mm

Nominal ratings

Operating voltage	U_B	12 ... 30 V DC (13 ... 30 V when analog voltage output is parameterized)
Reverse polarity protection		reverse polarity protected
Linearity error		within measuring range: ± 0.8 mm within linearity range: ± 0.4 mm
Repeat accuracy	R	± 0.1 mm
Resolution		50 μ m
Temperature drift		± 0.5 mm (-25 °C ... 70 °C)
No-load supply current	I_0	≤ 40 mA
Operating voltage indicator		LED green

Functional safety related parameters

MTTF _d	311 a
Mission Time (T _M)	20 a
Diagnostic Coverage (DC)	0 %

Indicators/operating means

LED S3	Damping element in the configured analog measuring range
LED STATUS	Status display LED, green/red (Power on, communication/error, missing damping element)

Interface

Interface type	IO-Link (via C/Q = Pin 4)
Device profile	Smart Sensor
Transfer rate	COM 2 (38.4 kBaud)
Value range	0000h ... 6400h
IO-Link Revision	1.1
Min. cycle time	2.3 ms
Process data width	Process data input: 16 Bit Process data output: none
SIO mode support	yes
Device ID	0x200301 (2097921)
Compatible master port type	A

Analog output

Output type	current output 4-20 mA voltage output 0 - 5 V DC 0 ... 10 V DC, programmable
Load resistor	current output: $\leq 400 \Omega$ voltage output: $\geq 1000 \Omega$
Short-circuit protection	voltage output: current limit

Ambient conditions

Ambient temperature	-25 ... 85 °C (-13 ... 185 °F)
---------------------	--------------------------------

Mechanical specifications

Connection type	5-pin, M12 x 1 connector
Degree of protection	IP67 / IP69K
Material	
Housing	PBT, stainless steel 1.4571, brass, nickel-plated
Target	mild steel, e. g. 1.0037, SR235JR (formerly St37-2)
Mass	83 g

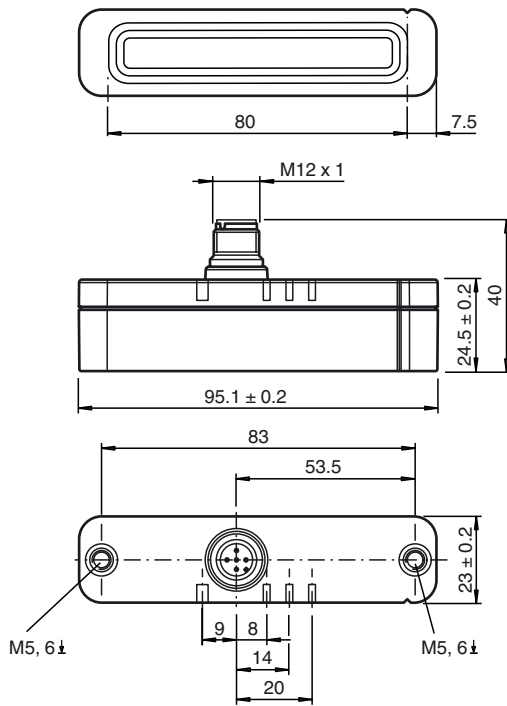
Compliance with standards and directives

Standard conformity	
Standards	EN 60947-5-2:2007 EN 60947-5-2/A1:2012 IEC 60947-5-2:2007 IEC 60947-5-2 AMD 1:2012 EN 60947-5-7:2003 EN61131-9:2013 IEC 60947-5-7:2003 IEC 61131-9:2013

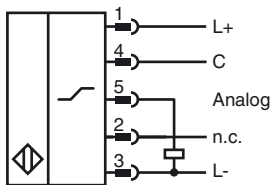
Approvals and certificates

UL approval	cULus Listed, Class 2 Power Source, Type 1 enclosure
-------------	--

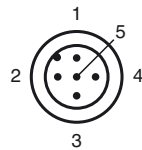
Dimensions



Electrical Connection



Pinout



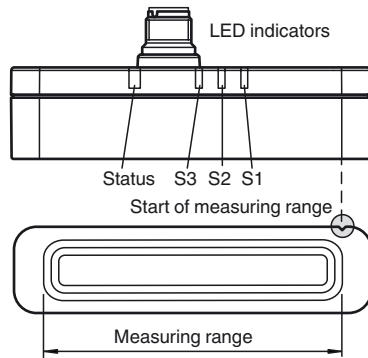
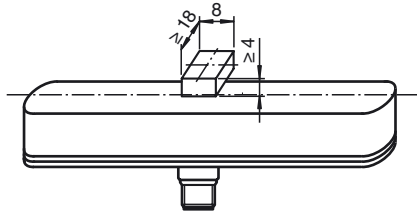
Wire colors in accordance with EN 60947-5-2

1	BN	(brown)
2	WH	(white)
3	BU	(blue)
4	BK	(black)
5	GY	(gray)

Release date: 2017-09-07 14:17 Date of issue: 2017-09-25 231918_eng.xml

Additional Information

dimensions for the target object:



Release date: 2017-09-07 14:17 Date of issue: 2017-09-25 231918_eng.xml

Refer to "General Notes Relating to Pepperl+Fuchs Product Information".

Pepperl+Fuchs Group
www.pepperl-fuchs.com

USA: +1 330 486 0001
fa-info@us.pepperl-fuchs.com

Germany: +49 621 776 4411
fa-info@de.pepperl-fuchs.com

Singapore: +65 6779 9091
fa-info@sg.pepperl-fuchs.com