

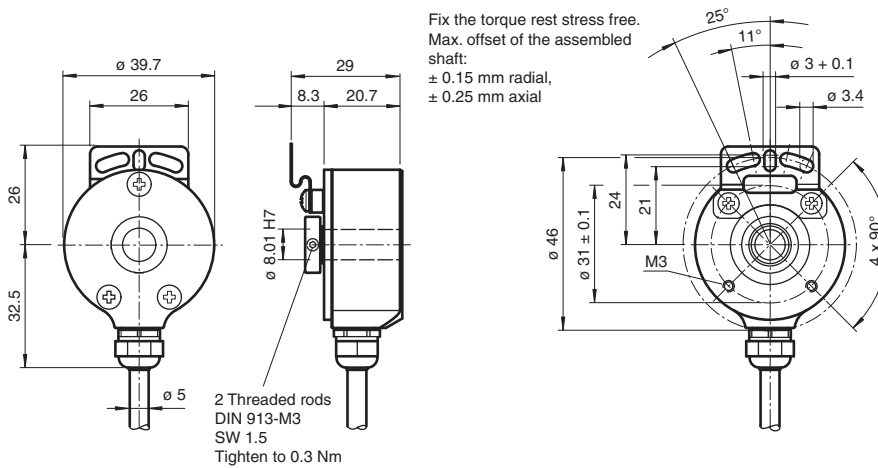
# Incremental rotary encoder THI40N-YYAY2R3YN-00011



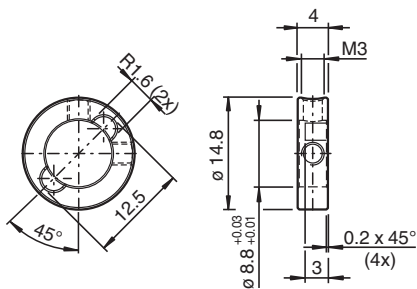
- Compact design
- 11 pulses
- Clamping ring with anti-twist protection = YY
- Polarity reversal protected = Y



## Dimensions



## YY



## Technical Data

### General specifications

Detection type	photoelectric sampling
Pulse count	11

Release date: 2024-03-19 Date of issue: 2024-03-19 Filename: 231995\_eng.pdf

Refer to "General Notes Relating to Pepperl+Fuchs Product Information".

Pepperl+Fuchs Group  
www.pepperl-fuchs.com

USA: +1 330 486 0001  
fa-info@us.pepperl-fuchs.com

Germany: +49 621 776 1111  
fa-info@de.pepperl-fuchs.com

Singapore: +65 6779 9091  
fa-info@sg.pepperl-fuchs.com

PEPPERL+FUCHS

## Technical Data

### Electrical specifications

Operating voltage	$U_B$	4.75 ... 30 V DC Reverse polarity protection
No-load supply current	$I_0$	max. 55 mA

### Output

Output type		incremental or RS-422, incremental
Voltage drop	$U_d$	$\leq 2.5$ V
Load current		max. per channel 30 mA short-circuit protected
Output frequency		max. 100 kHz (max. 100 kHz)
Rise time		980 ns (225 ns)
De-energized delay	$t_{off}$	980 ns (225 ns)

### Connection

Cable		$\varnothing 5$ mm, 5 x 0.08 mm <sup>2</sup> , 2 m
-------	--	--

### Standard conformity

Degree of protection		DIN EN 60529, IP54
Climatic testing		DIN EN 60068-2-3, no moisture condensation
Emitted interference		EN 61000-6-4:2007/A1:2011
Noise immunity		EN 61000-6-2:2005
Shock resistance		DIN EN 60068-2-27, 100 g, 6 ms
Vibration resistance		DIN EN 60068-2-6, 10 g, 10 ... 2000 Hz

### Approvals and certificates

UL approval		cULus Recognized, General Purpose, Class 2 Power Source
Maximum permissible ambient temperature		max. 60 °C (max. 140 °F)

### Ambient conditions

Operating temperature		-10 ... 70 °C (14 ... 158 °F)
Storage temperature		-25 ... 85 °C (-13 ... 185 °F)

### Mechanical specifications

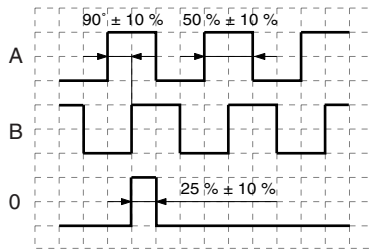
Material		
Housing		Aluminum
Flange		Aluminum
Shaft		Stainless steel
Mass		approx. 160 g
Rotational speed		max. 6000 min <sup>-1</sup>
Moment of inertia		$\leq 5$ gcm <sup>2</sup>
Starting torque		$\leq 1$ Ncm

## Connection

Signal	Cable
GND	White
+ $U_B$	Brown
A	Green
B	Grey
0	Yellow
Screen	-

# Operation

## Signal outputs



↻ cw - in view of the shaft

Release date: 2024-03-19 Date of issue: 2024-03-19 Filename: 231995\_eng.pdf