

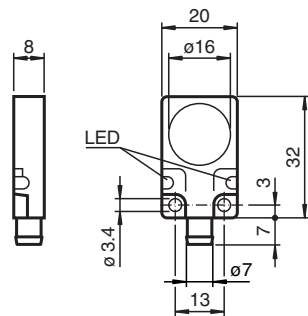


Capacitive sensor CBN5-F104M-E2-V3R

- 5 mm non-flush
- 3-wire DC
- Flat housing
- Metal housing



Dimensions



Technical Data

General specifications		
Switching function		Normally open (NO)
Output type		PNP
Rated operating distance	s_n	5 mm
Installation		non-flush
Output polarity		DC
Output type		3-wire
Nominal ratings		
Installation conditions		
B		0 mm
C		10 mm
F		20 mm
Operating voltage	U_B	10 ... 30 V DC
Switching frequency	f	0 ... 100 Hz
Hysteresis	H	2 ... 20 %
Reverse polarity protection		reverse polarity protected
Short-circuit protection		pulsing

Release date: 2022-06-30 Date of issue: 2022-06-30 Filename: 234029_eng.pdf

Refer to "General Notes Relating to Pepperl+Fuchs Product Information".

Pepperl+Fuchs Group
www.pepperl-fuchs.com

USA: +1 330 486 0001
fa-info@us.pepperl-fuchs.com

Germany: +49 621 776 1111
fa-info@de.pepperl-fuchs.com

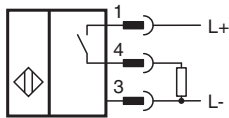
Singapore: +65 6779 9091
fa-info@sg.pepperl-fuchs.com

PF PEPPERL+FUCHS

Technical Data

Voltage drop	U_d	$\leq 1.8 \text{ V}$
Operating current	I_L	0 ... 200 mA
Off-state current	I_r	$\leq 0.1 \text{ mA}$
No-load supply current	I_0	$\leq 15 \text{ mA}$
Operating voltage indicator		LED, green
Switching state indicator		LED, yellow
Compliance with standards and directives		
Standard conformity		
Standards		EN 60947-5-2
Approvals and certificates		
UL approval		cULus Listed, General Purpose
CCC approval		CCC approval / marking not required for products rated $\leq 36 \text{ V}$
Ambient conditions		
Ambient temperature		-25 ... 70 °C (-13 ... 158 °F)
Mechanical specifications		
Connection type		Connector plug 8 mm , 3-pin
Housing material		GD-Zn
Sensing face		PA 12
Degree of protection		IP67

Connection



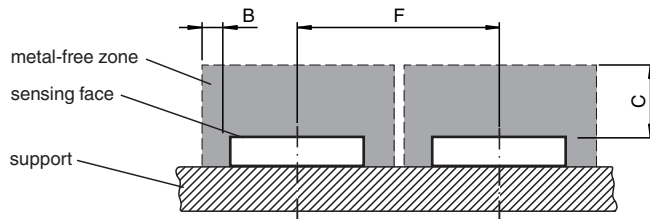
Connection Assignment




Wire colors in accordance with EN 60947-5-2

1	BN	(brown)
3	BU	(blue)
4	BK	(black)

Installation Conditions



Accessories

	<p>V3-WR-2M-PUR</p>	<p>Female cordset single-ended M8 snap-lock angled A-coded, 3-pin, PUR cable grey</p>
---	----------------------------	---

Release date: 2022-06-30 Date of issue: 2022-06-30 Filename: 234029_eng.pdf