



Model Number

NBN5-F7-E2-7M

Features

- **Basic series**
- **5 mm non-flush**
- **3-wire DC**

Technical Data

General specifications

Switching element function		PNP	NO
Rated operating distance	s_n	5 mm	
Installation		non-flush	
Output polarity		DC	
Assured operating distance	s_a	0 ... 4.05 mm	
Reduction factor r_{Al}		0.3	
Reduction factor r_{Cu}		0.2	
Reduction factor r_{304}		0.7	

Nominal ratings

Operating voltage	U_B	10 ... 30 V DC
Switching frequency	f	0 ... 500 Hz
Hysteresis	H	typ. 5 %
Reverse polarity protection		reverse polarity protected
Short-circuit protection		pulsing
Voltage drop	U_d	≤ 3 V
Operating current	I_L	0 ... 100 mA
Off-state current	I_r	0 ... 0.5 mA typ. 0.1 μ A at 25 °C
No-load supply current	I_0	< 20 mA

Indicators/operating means

Operation indicator	LED yellow
---------------------	------------

Ambient conditions

Ambient temperature	-25 ... 70 °C (-13 ... 158 °F)
---------------------	--------------------------------

Mechanical specifications

Connection type	cable PVC , 7 m
Core cross-section	0.14 mm ²
Housing material	PBT
Sensing face	PBT
Degree of protection	IP67

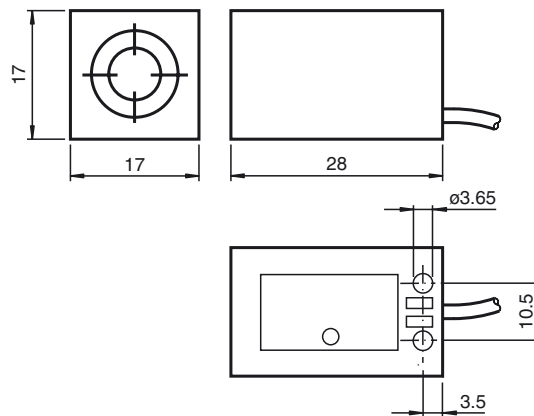
Compliance with standards and directives

Standard conformity	
Standards	EN 60947-5-2:2007 IEC 60947-5-2:2007

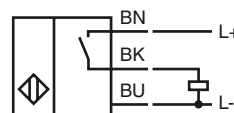
Approvals and certificates

UL approval	cULus Listed, General Purpose
CSA approval	cCSAus Listed, General Purpose
CCC approval	CCC approval / marking not required for products rated ≤ 36 V

Dimensions



Electrical Connection



Release date: 2015-02-24 11:06 Date of issue: 2015-02-25 23:4297_eng.xml