



# Safety Monitor

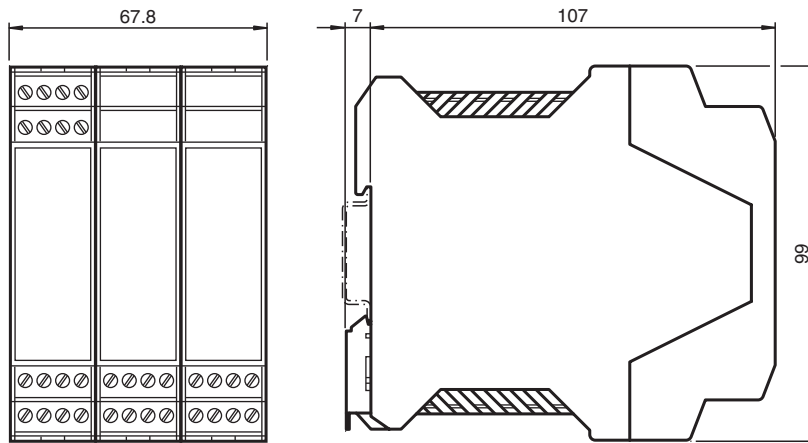
## KE5D2-6H/2R-S

- 24 V AC/DC supply
- (6) Monitored inputs
- DIN rail mountable
- Dual output relay contacts
- Internal relay monitoring
- Removable screw terminals

Safety Monitor



### Dimensions



### Technical Data

#### General specifications

UL File Number E179102

#### Supply

Rated voltage  $U_r$  24 V AC/V DC ( for AC, 45 ... 62 Hz )  
 Rated current  $I_r$  < 0.5 A  
 Power consumption < 12 W

#### Indicators/operating means

LED green power  
 LED red sensor status (one per channel/two per input)  
 LED red/green relay : ( 2 ) red , ( 2 ) green  
 Switching state LED red flashing: fault signal

#### Input

Input type (6) dedicated input devices for 50FY41-.. series  
 Input voltage 12 V DC , (2 channel, sink/source)

#### Output

Current 5 mA to 5 A (NO contact)  
 Relay

Release date: 2021-11-25 Date of issue: 2021-11-25 Filename: 235639\_eng.pdf

Refer to "General Notes Relating to Pepperl+Fuchs Product Information".

Pepperl+Fuchs Group  
 www.pepperl-fuchs.com

USA: +1 330 486 0001  
 fa-info@us.pepperl-fuchs.com

Germany: +49 621 776 1111  
 fa-info@de.pepperl-fuchs.com

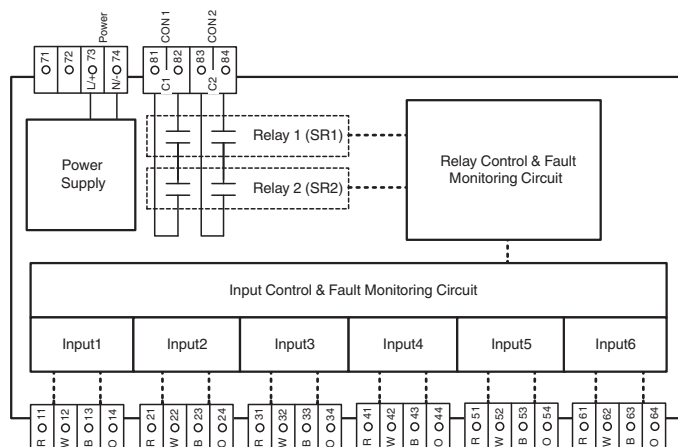
Singapore: +65 6779 9091  
 fa-info@sg.pepperl-fuchs.com

**PF** PEPPERL+FUCHS

**Technical Data**

Switching voltage	20 ... 230 V AC/DC
Switching current	See Specifications in manual for details of currents and cycles
Mechanical life	> 1,000,000 operations
Output I	2 relay outputs , NO Contact
Response time	20 ms (switch open to contact open)
<b>Transfer characteristics</b>	
Time delay before availability	3 s
<b>Compliance with standards and directives</b>	
Directive conformity	
Machinery Directive 2006/42/EC	EN/ISO 13849-1:2008 / AC : 2009 category 3 PL d
Low Voltage Directive 2006/95/EC	EN 60664-1:2007
EMC Directive 2004/108/EC	EN 61326-1:2006
Standard conformity	
Electromagnetic compatibility	EN 61326-1:2006 EN 61000-6-3:2007+A1:2011 or EN 61000-6-4:2007/A1:2011
Standards	EN 61496-1:2008 IEC 61496-2:2006 EN 50178:1998
<b>Approvals and certificates</b>	
UL approval	UL 508
<b>Ambient conditions</b>	
Ambient temperature	-20 ... 50 °C (-4 ... 122 °F)
<b>Mechanical specifications</b>	
Housing length	107 mm
Housing width	67.8 mm
Housing height	99 mm
Degree of protection	IP20
Connection	screw connection, max. 2.5 mm <sup>2</sup>
Mass	approx. 545 g
Mounting	DIN mounting rail

**Connection**







**Matching System Components**

	<b>50FY41-V4A-50</b>
--	----------------------

Release date: 2021-11-25 Date of issue: 2021-11-25 Filename: 235639\_eng.pdf

Refer to "General Notes Relating to Pepperl+Fuchs Product Information".

## Matching System Components

	<b>50FY41-V4A-12</b>	
	<b>50FY41-V4A-6-KIT</b>	
	<b>50FY41-V4A-12-KIT</b>	
	<b>50FY41-V4A-6</b>	

## Accessories

	<b>50FY41-SIMMOD</b>	Sensor simulator device
---	----------------------	-------------------------

Release date: 2021-11-25 Date of issue: 2021-11-25 Filename: 235639\_eng.pdf

## Documentation

See instruction manual for complete product information and installation requirements.

## Installation

### Improper installation

This product is designed to conform to the technical requirements of ISO 13849-1:2008. To ensure compliance with these requirements, 50FY41 series sensors and 52FY31 series actuators must be used with the KE5D2-6H/2R-S and KE5A5-6H/2R-S safety monitors.

Consult with the local safety agency and its requirements when designing a machine control system, interface, and all control elements that affect safety. Strictly adhere to all installation instructions. Failure to comply with these instructions could result in death or serious injury.