



Model Number

NBB15-F148P10-ARO-M

Relay output

Features

- 15 mm flush
- Relay output
- Extended temperature range

Technical Data

General specifications

Switching element function		1 electronic relay, N.C.
Rated operating distance	s_n	15 mm
Installation		flush
Output polarity		DC
Assured operating distance	s_a	0 ... 12.15 mm
Reduction factor r_{Al}		0.45
Reduction factor r_{Cu}		0.35
Reduction factor r_{304}		0.8
Reduction factor r_{Brass}		0.5

Nominal ratings

Operating voltage	U_B	10 ... 30 V
Switching frequency	f	0 ... 30 Hz
Hysteresis	H	2 ... 20 % (typ. 3 %)
Reverse polarity protection		reverse polarity protected
Short-circuit protection		no
Voltage drop	U_d	≤ 0.5 V (≤ 0.275 V at ≤ 100 mA operating current)
Operating current	I_L	0 ... 200 mA
Off-state current	I_r	≤ 10 μ A
No-load supply current	I_0	≤ 10 mA
Time delay before availability	t_v	≤ 55 ms
Switching state indicator		LED, yellow

Functional safety related parameters

MTTF _d	1218 a
Mission Time (T _M)	20 a
Diagnostic Coverage (DC)	0 %

Ambient conditions

Ambient temperature	-40 ... 85 °C (-40 ... 185 °F)
Storage temperature	-40 ... 85 °C (-40 ... 185 °F)

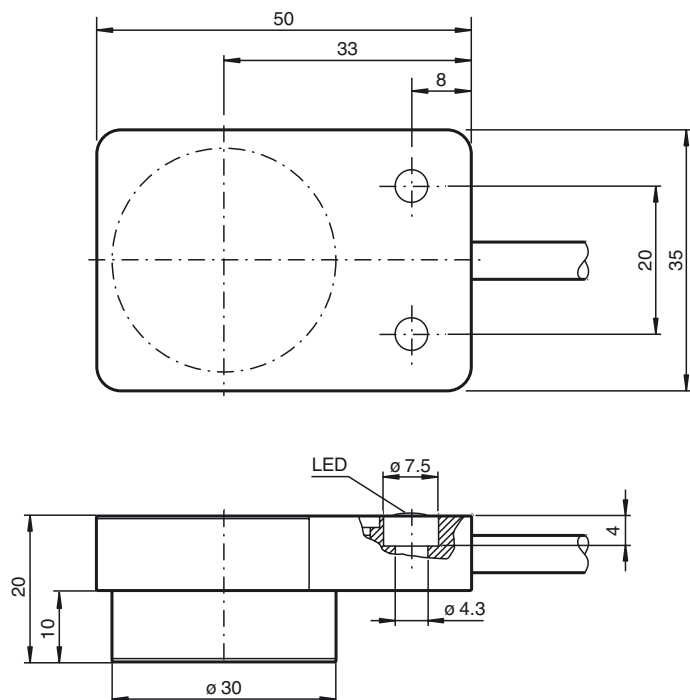
Mechanical specifications

Connection type	cable PUR, 2 m
Core cross-section	0.5 mm ²
Housing material	anodized aluminum
Sensing face	PBT
Degree of protection	IP67 / IP69K

Compliance with standards and directives

Standard conformity	
Standards	EN 60947-5-2:2007 IEC 60947-5-2:2007

Dimensions



Electrical Connection

