

Mounting aid OMH-ML300-02

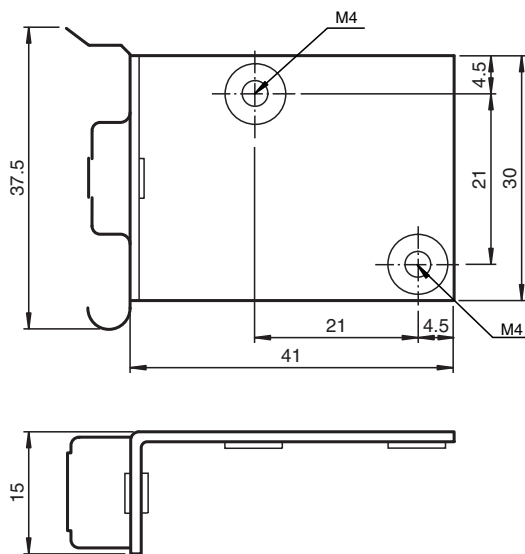


- Mounting accessories for ML300 series sensors
- Quick and easy mounting on a DIN rail

Bracket for mounting ML300 series sensors on a 35 mm DIN rail



Dimensions



Technical Data

Mechanical specifications

Material	Zinc plated steel
Mass	approx. 22 g
Mounting	Mounting accessories included
Suitable series	
Series	ML300

Release date: 2020-03-24 Date of issue: 2020-06-30 Filename: 238247_eng.pdf

Refer to "General Notes Relating to Pepperl+Fuchs Product Information".

Pepperl+Fuchs Group
www.pepperl-fuchs.com

USA: +1 330 486 0001
fa-info@us.pepperl-fuchs.com

Germany: +49 621 776 1111
fa-info@de.pepperl-fuchs.com

Singapore: +65 6779 9091
fa-info@sg.pepperl-fuchs.com

PF PEPPERL+FUCHS