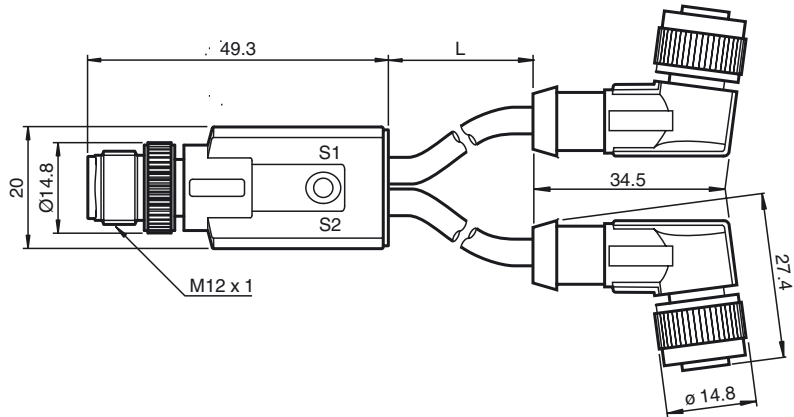




**Dimensions**



**Model Number**

**V1-W-0,6M-PUR-TV1-G**

Y-splitter cordset, M12 to 2 x M12, 3-pin, PUR cable

**Features**

- Simple assembling of 2 signals to one M12 plug-in station
- Pins 2 and 4 bridged
- Flame resistant cable
- Resistant to microbes and hydrolysis
- Halogen-free
- Does not give off silicone

**Technical data**

**General specifications**

Number of pins 3

**Electrical specifications**

Operating voltage  $U_B$  max. 250 V AC/DC  
 Operating current  $I_B$  max. 4 A  
 Volume resistance  $< 5 \text{ m}\Omega$

**Ambient conditions**

Ambient temperature Body: -25 ... 90 °C (-13 ... 194 °F)  
 cable, fixed: -40 ... 80 °C (-40 ... 176 °F)  
 cable, flexing: -25 ... 80 °C (-13 ... 176 °F)

**Mechanical specifications**

Degree of protection IP65 / IP68 / IP69K  
 Connection 1 x M12 connector, straight  
 2 x M12 right-angled sockets

**Material**

Contacts CuSn  
 Contact surface Ni/Au  
 Body TPU, black  
 Cable PUR  
 Slotted nut Zinc die-casting, nickel-plated  
 Sleeve connector Zinc die-casting, nickel-plated  
 Seal NBR  
 Core insulation PP

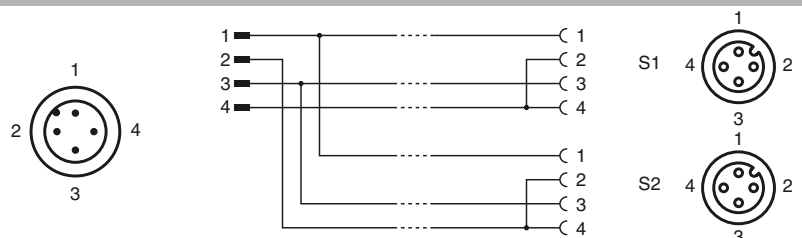
**Cable**

Sheath diameter  $\text{Ø } 4.4 \text{ mm}$   
 Bending radius  $> 10 \times$  cable diameter, moving  
 $> 5 \times$  cable diameter, fixed  
 Color black  
 Cores  $3 \times 0.34 \text{ mm}^2$ ; 22 AWG  
 Conductor construction  $42 \times 0.1 \text{ mm } \text{Ø}$   
 Length L 0.6 m

**Compliance with standards and directives**

Standard conformity  
 Degree of protection EN 60529:2000  
 Standards IEC 61076-2-101:2008

**Electrical connection**



Release date: 2015-06-24 12:02 Date of issue: 2015-06-24 238985\_eng.xml

Refer to "General Notes Relating to Pepperl+Fuchs Product Information".