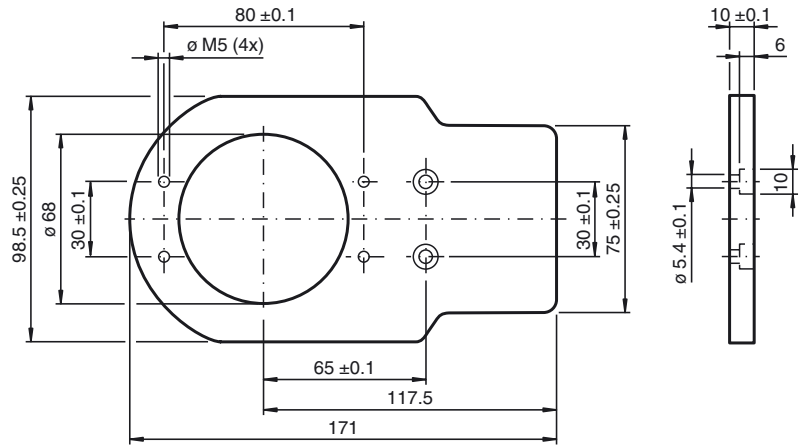




Dimensions



Model Number

MH-F31K2

Adapter plate

Features

- PVC adapter plate

Technical data

Mechanical specifications

Mounting hole pattern	30 x 130 mm
Material	PVC , grey
Spacer disk	PA (1 unit, 10 mm strong)
Mounting screw	pan head screws DIN 912 (2 pieces M5 x 12) With Allen screw